



MOTOR PROTECTION CIRCUIT BREAKER



BCH ELECTRIC LIMITED

Motor Protection Cuircuit Breaker

Features

- Sensitive to phase failure in compliance with EN 60947-4-1, IEC 947-4-1
- Reliable protection at overloads and short circuits
- Simple and fast mounting by snap fitting on 35mm wide mounting rail in compliance with EN 50022; fixing with two screws in also possible
- It is convenient also for mounting in an installation distribution box
- Main application field : control (start-up, protection and switch-off) of A.C. electric motors with power up to 11 kW (380/400 V) or other consumers up to 25 A; it can also be used as the main switch according to EN 60204 standards
- Numerous accessories make the application field wider and enable the fulfillment of the majority of user's demands

Specifications

TYPE WITH THERMAL MAGNETIC RELEASE	SETTING RANGE (A)	MOTOR RATING IN kW at 415V	OPERATING CURRENT OF SHORT-CIRCUIT RELEASE (A)	BREAKING CAPACITY IN kA at 400V	MAX. BACK-UP FUSES (gL, aM) at 400V
MPE - 01	0, 1...0, 16		1, 9	100 KA	No back-up fuses required
MPE - 02	0, 16...0, 25	0, 06	2, 6		
MPE - 03	0, 25...0, 4	0, 12	4, 4		
MPE - 04	0, 4...0, 63	0, 18	8		
MPE - 05	0, 63...1	0, 25	11		
MPE - 06	1...1, 6	0, 37...0, 55	19		
MPE - 07	1, 6...2, 5	0, 75...1, 1	30		
MPE - 08	2, 5...4	1, 5	42		
MPE - 10	4...6, 3	2, 2...3	69		
MPE - 14	6, 3...10	4...5	110		
MPE - 16	10...16	5, 5...9	210	4	
MPE - 20	16...20	11	220	4	
MPE - 22	20...25	12, 5	330	4	

Version

MPE

Motor protection unit with thermal and magnetic short-circuit release

MPET

Motor protection unit with thermal overload release

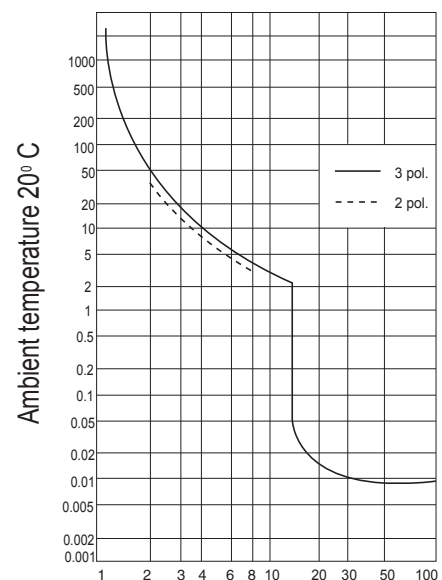
Special versions for single -phase consumers; (on request)

MPES with overload and short-circuit release

MPEST 20 with overload release



Time Current Characteristic
Mean values of operating times
for MPE



Current as a multiplier of the set current



Technical Data

GENERAL	
Standards	IEC 947
Mechanical endurance op. cy	100000
Impact resistance at impact duration of 20 ms	20g
Ambient temperature	Open
	Enclosed
Temperature compensation	-25...+50°C
Weight approx.	250g
Protection degree	IP 20
MAIN CIRCUITS	
Rated insulation voltage Ui	690V
Rated impulse insulation withstand voltage Uimp	6kV
Thermal current Ith max = Ie max	25A
Electrical endurance at AC 3 and Ie	op. cy. 100000
Utilization category : AC 3 upto	690V
Terminal capacity (1 or 2 conductors)	0.75...4 mm ²
AUXILIARY SWITCH PS	
Rated insulation voltage Ui	500V
Thermal current Ith	6A
Rated operational current Ie	230 V
at utilization category AC 15	400 V
	500 V
Short circuit protection - max fuses	6 A (gL, gG)
Terminal capacity (1 or 2 conductors)	0,75...2,5 mm ²

Accessories



Auxiliary Switch

REFERENCE	CONTACTS
MPA - 0010	1NO
MPA - 0001	1NC
MPA - 0011	1NO + 1NC
MPA - 0020	2NO
MPA - 11 V	1NO + 1NC (Flush)



Enclosure (IP55)

REFERENCE	TYPE
MPA - EF ■	Flush Mounted
MPA - ES ■	Surface Mounted

Alarm Switch

REFERENCE	CONTACTS
MPA - RS01	1NC
MPA - RS10	1NO



Bus Bar

REFERENCE	CONTACTS
MPA - BB245	2 Tap-off 45mm
MPA - BB345	3 Tap-off 45mm
MPA - BB445	4 Tap-off 45mm
MPA - BB545	5 Tap-off 45mm
MPA - BB263	2 Tap-off 63mm
MPA - BB463	4 Tap-off 63mm
MPA - BBI	Incoming Block

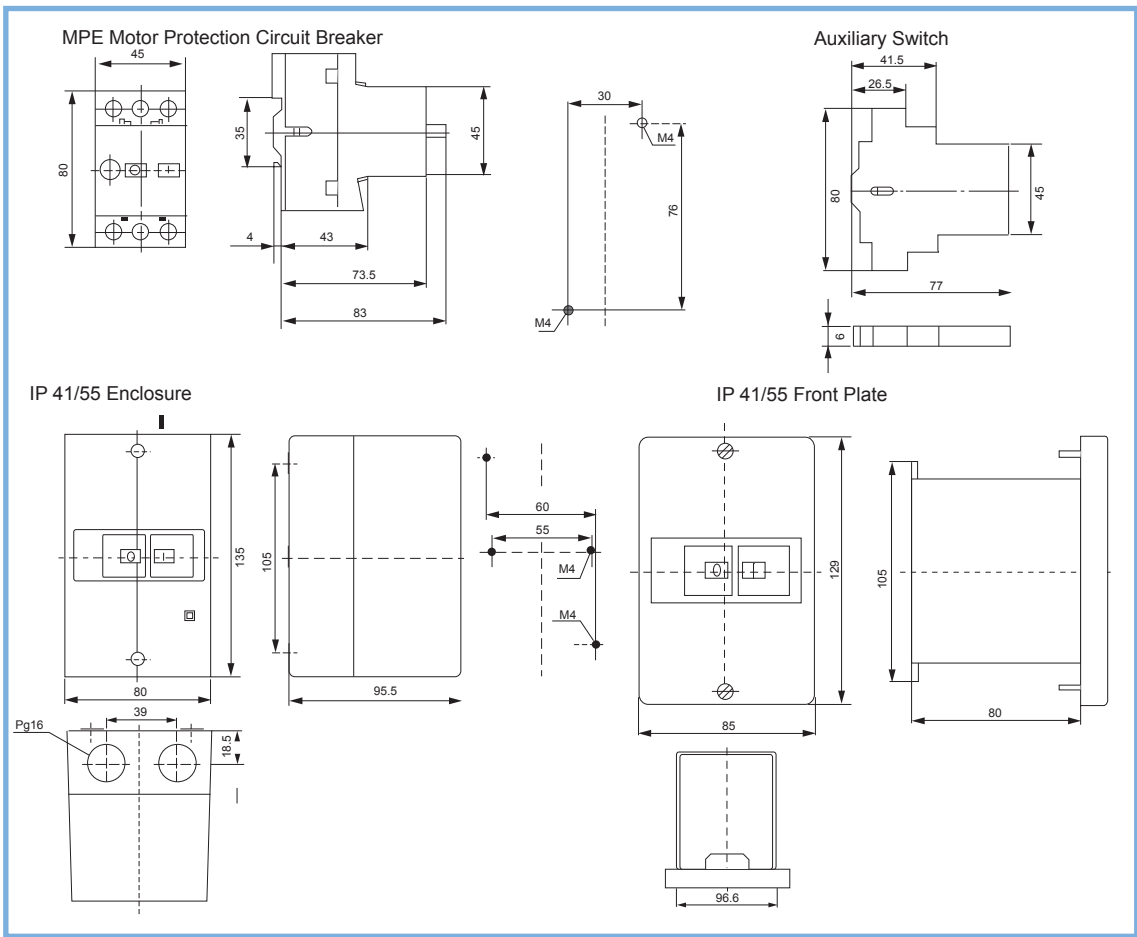
Voltage Releases

REFERENCE	TYPE
MPA - U ■	Under Voltage Release (24-600V AC)
MPA - S ■	Short Release (24-600V AC)



■ A : 110V AC, K : 230V AC, M : 415V AC, U : 24V AC, R : 42V AC

Dimensions (mm)



BCH ELECTRIC LIMITED

Visit us at : www.bchindia.com

Corporate Office : 1105, New Delhi House, 27, Barakhamba Road, New Delhi - 110 001 Tel. : 91-11-23316029/3610/6539 Fax : 91-11-23715249 E-Mail : marketing@bchindia.com

Registered Office : Block 1E, 216, Acharya Jagadish Chandra Bose Road, Kolkata - 700 017

Works : 20/4, Mathura Road, Faridabad - 121 006 (Haryana) Tel. : 0129-4063000/4061026 Fax : 0129-2304024

Sales Offices :

Ahmedabad
 93, City Centre,
 Near Swastik Char Rasta,
 C.G.Road, Navrangpura,
 Ahmedabad - 380 009
Tel. : (079) 26565719, 26565728
Mobile: 98256-07601
 Fax : (079) 26561210
 E-mail: ahmedabad@bchindia.com

Bangalore
 B.M.H. Complex, IInd Floor,
 No. 22, Kengal Hanumanthiah Road,
 Bangalore - 560 027
Tel. : 080-22273478, 41144878, 41144879
Mobile : 98455-46105
 Fax : 080-22236759
 E-mail: bangalore@bchindia.com

Bhubaneswar
 Plot No. 4708/1,
 Gajapati Nagar,
 Bhubaneswar - 750 005
Tel. : 0674-2301767
Mobile : 98610-81767
 E-mail: bhubaneswar@bchindia.com

Chandigarh
 SCO 121-22-23, 1st Floor,
 Sector 34-A, Chandigarh - 160 022
Tel. : 0172-5078957
Mobile : 98554-87089
 E-mail: chandigarh@bchindia.com

Chennai
 LVR CENTRE, 3rd Floor
 No. 7, Seshadri Road,
 Alwarpet, Chennai - 600 018
Tel. : 044-24997042, 24997002
Mobile : 98402-85500
 Fax : 044-24998553
 E-mail: chennai@bchindia.com

Cochin
 2nd Floor, 32/1495
 B-1, Chakos Chambers,
 By Pass Junction,
 Cochin - 682 025
Tel. : 0484-6593697
Mobile : 98477-43393
 E-mail: cochin@bchindia.com

Coimbatore
 87, Dr. Nanjappa Road,
 Coimbatore - 641 018
Tel. : 0422-2305311
Mobile : 98430-53555
 Fax : 0422-2302599
 E-mail: coimbatore@bchindia.com

Faridabad
 110 & 117, Om Shubham Tower
 Neelam Bata Road, N.I.T.
 Faridabad - 121 001 (Haryana)
Mobile : 98180-10700
 E-mail: faridabad@bchindia.com

Gurgaon
 SF-203, Navkriti Arcade
 Block-A, Sushant Lok, Phase-II
 Gurgaon - 122 001 (Haryana)
Mobile : 99101-55464
 E-mail: gurgaon@bchindia.com

Guwahati
 2nd Floor, Maya Ville,
 Borthakur Mill Road, Ulubari
 Guwahati - 781 0007
Mobile : 09435407024
 E-mail: guwahati@bchindia.com

Hospet
 940C, Third Cross
 Third Ward, Patel Nagar
 Station Road,
 Hospet-583201
Tel. : 09845930782
 Email: hospet@bchindia.com

Hubli
 A-5, Navaniketan Apartments
 Ashok Nagar
 Hubli (Karnataka)
Tel. : 0936-3090472
Mobile No. 98802-90471
 Email: hubli@bchindia.com

Hyderabad
 210, Prajaya Corporate House,
 1-10-63&64, Chikoti Garden,
 Begumpet, Hyderabad - 500 016
Tel. : 040-66206263/27763325
Mobile : 98493-99240
 Fax : 040-66207273
 E-mail: hyderabad@bchindia.com

Indore
 330-331, Indraprastha Tower,
 6, MG Road, Indore - 452 001
Tel. : 0731-2510011
Mobile : 98266-66091
 E-mail: indore@bchindia.com

Jaipur
 25, Hathroi, Gopalbari,
 Jaipur - 302 001
Tel. : 0141-5104521
Mobile : 98290-10813
 Fax : 0141-2363521
 E-mail: jaipur@bchindia.com

Jamshedpur
 3rd Floor, Aastha Trade Centre,
 'Q' Road, Bistupur,
 Jamshedpur - 831001
Tel. : 0657-6573507
Mobile : 98351-82109
 Fax : 0657-2420439
 E-mail: jamshedpur@bchindia.com

Kolkata
 East India House,
 3rd Floor, 20-B, Abdul Hamid
 Street, Kolkata - 700 069
Tel. : 033-22138508 / 10
Mobile : 98303-36101
Fax : 033-22138512
 E-mail: kolkata@bchindia.com

Lucknow
 Madan Plaza, 3rd Floor,
 14, Station Road, Lucknow
Tel. : 0522-4025597/4025997/4025697
Mobile : 98399-12304
 E-mail: lucknow@bchindia.com

Ludhiana
 S.C.O - 18, IInd Floor,
 Feroze Gandhi Market,
 Ludhiana - 140 001
Tel. : 0161-5021807
Mobile : 98765-87088
 Fax : 0161-2771807
 E-mail: ludhiana@bchindia.com

Madurai
 E 168/69, Santanaram Road
 TVS Nagar
 Madurai-625003
Tel. : 09843133990
 Email: maduri@bchindia.com

Mumbai
 A-151, Mittal Tower,
 Nariman Point,
 Mumbai - 400 021
Tel. : 022-22822947/22826039
Mobile : 98223-00706
 Fax : 022-22822858
 E-mail: mumbai@bchindia.com

Nagpur
 Block No. 238-B,
 Opp. Dharamdas Darbar,
 Nr. Choudhary Chowk, Jaripatka,
 Nagpur, Maharashtra - 440 014
Mobile : 99701-80877
 E-mail: nagpur@bchindia.com

New Delhi
 801, Akash Deep,
 26A, Barakhamba Road,
 New Delhi - 110 001
Tel. : 011-23313878
Mobile : 98102-12502
 Fax : 011-23739230
 E-mail: delhi@bchindia.com

Pune
 8, Sarosh Bhawan,
 16-B/1, Dr. Ambedkar Road,
 Pune - 411 001
Tel. : 020-26052590
Mobile : 98220-11086
 Fax : 020-26135224
 E-mail: pune@bchindia.com

Raipur
 2nd Floor,
 Building No- B- 234,
 Indira Gandhi
 Vyavasayik Parisar,
 Pandri, Raipur - 492 004
Tel. : 0771-4020213
Mobile : 98266-66092
 E-mail: raipur@bchindia.com

Surat
 601/A, 21st Century Business Centre
 Ring Road
 Ring Road - 395 002
Mobile : 91 9825607617
 E-mail: surat@bchindia.com

Trichy
 Kingston Park,
 Second Floor,
 19/1, Puttur High Road,
 Ramalinga Nagar,
 Trichy - 820 003.
Mobile: 99406 76502
 Email: trichy@bchindia.com

Vadodara
 101, Toran Complex,
 Vikas Nagar
 Old Padra Road
 Vadodara - 390 020.
Tel. : 0265-6548444
 E-mail: baroda@bchindia.com

Vishakapatnam
 Venu Vaibhavam, 2nd Floor,
 Flat No. 201, Palace
 Layout, Pedda Waltair,
 Vishakapatnam - 530 017
Mobile : 98493-99238
 E-mail: vizag@bchindia.com

Western UP & Uttarakhand
 8, Cooperative Industrial Estate
 Patel Nagar
 Dehradun : 248001
 Uttarakhand
Mobile : 9760059793
 E-mail: dehradun@bchindia.com

Resident Engineers Locations Tel.

Agartala	94361-28939
Haldwani	99970-12643
Kanpur	98392-34539
Muzaffarnagar	98970-73741
Renukoot	98399-55117
Ambala	93541-18839
Durgapur	97320-03364

Kolhapur	98906-26205
Nashik	98900-12944
Salem	98433-19533
Udaipur	98292-44085
Bhopal	98266-66093
Ghaziabad	98107-44937
Jabalpur	98268-03656

Kota	98290-14899
Navi Mumbai	98923-00701
Silchar	94354-04033
Vijayawada	98662-20504
Baddi	93187-78975
Gorakhpur	98392-24988
Jalandhar	98763-47188

Mangalore	98457-31944
Pondichery	98942-22033
Siliguri	98320-11433
Bhilai	98266-12907
Gwalior	98268-03658
Jodhpur	98292-18618
Rajkot	98256-04709

Tirupathi	98661-30930
Warangal	98495-51691



MOTOR PROTECTION CIRCUIT BREAKER

MPH Series



**BCH
ELECTRIC
LIMITED**

BCH MPH series of MPCB is a compact range for motor protection up to 30 kW (415V)/ 63 A in two frame sizes i.e. 45mm & 55mm. It offers Thermal overload protection and Short circuit protection in a single compact unit with features like trip-free mechanism, temperature compensation and a rotary handle with a clear switch position indication.

- Over load protection
- Phase failure protection
- Fuse less short circuit protection up to feeder line

Add on accessories

- 1 NO + 1 NC - Front Mounted
- Trip Indicator
- 2 NO - Side Mounted
- Undervoltage / Shunt Release

Salient features

- ON / OFF Rotary knob with manual operation enables individual motor circuit to be isolated without having to disconnect all other circuits in control panel.
- Pad locking in "OFF" position to prevent accidental turn "ON" of motor during servicing.
- Clear trip indication. The Rotary Knob comes to "TRIP" position on Short circuit & Over load faulty conditions which help to identify the tripped condition of the MPCB easily.
- Test function to verify the performance of the device & accessories.
- Universal rating & marking: A, KW & HP rating with UL & CE markings.
- Wide range of Relay scale.
- Over load relay function confirms to TRIP class 10
- Trip indication - visual discrimination between short circuit & over load tripping.
- Wide variety of accessories coupled with modular design helps in easy distribution of power to multiple MPCB's.

Selection Table

Cat reference	Relay ratings (A)	Magnetic trip current (13 x I _n)	Motor KW (3-Phase)			Motor KW (1-Phase)
			400/415V	500V	690V	220 -240V
			KW	KW	KW	KW
MPH32-0.16	0.1-0.16	2.1	-	-	0.06	-
MPH32-0.25	0.16-0.25	3.3	0.06	0.06	0.12	-
MPH32-0.4	0.25-0.4	5.2	0.09	0.12	0.18	-
MPH32-0.63	0.40-0.63	8.2	0.12	0.25	0.25	-
MPH32-1.0	0.63-1.0	13	0.25	0.37	0.55	0.06
MPH32-1.6	1.0-1.6	21	0.55	0.75	1.1	0.12
MPH32-2.5	1.6-2.5	33	0.75	1.1	1.5	0.18
MPH32-4.0	2.4-4.0	52	1.5	2.2	3	0.37
MPH32-6.3	4.0-6.3	82	2.2	3	4	0.55
MPH32-10	6.3-10	130	4	4	7.5	1.1
MPH32-16	10-16	208	9	12.5	15	2.2
MPH32-20	16-20	260	9	12.5	15	3.0
MPH32-25	20-25	325	12.5	15	22	-
MPH32-32	25-32	416	15	18.5	30	-
MPH63-16	11-16	208	7.5	3.7	7.5	1.5
MPH63-20	14-20	260	7.5	3.7	7.5	2.2
MPH63-25	18-25	325	11	5.5	11	2.2
MPH63-32	22-32	416	15	7.5	15	3.7
MPH63-40	28-40	520	18.5	7.5	15	3.7
MPH63-45	36-45	585	18.5	11	22	5.5
MPH63-50	40-50	650	22	11	22	5.5
MPH63-63	45-63	819	30	15	30	7.5

Note: Mag only version is also available

Short Circuit Current Rating

Cat reference	Rated Current (A)	Short Circuit Breaking Capacity at 230V			Short Circuit Breaking Capacity at 400/415V			Short Circuit Breaking Capacity at 440V			Short Circuit Breaking Capacity at 500/525V			Short Circuit Breaking Capacity at 690V				
		Icu (kA)	Ics (kA)	Icu (kA)	Ics (kA)	Icu (kA)	Ics (kA)	Icu (kA)	Ics (kA)	Icu (kA)	Ics (kA)	Icu (kA)	Ics (kA)	Icu (kA)	Ics (kA)	Icu (kA)	Ics (kA)	g/gG fuse ①
MPH32-0.16	0.16	100	100	100	100	100	100	100	100	100	100	100	100	100	100	100	-	
MPH32-0.25	0.25	100	100	100	100	100	100	100	100	100	100	100	100	100	100	100	-	
MPH32-0.4	0.4	100	100	100	100	100	100	100	100	100	100	100	100	100	100	100	-	
MPH32-0.63	0.63	100	100	100	100	100	100	100	100	100	100	100	100	100	100	100	-	
MPH32-1.0	1	100	100	100	100	100	100	100	100	100	100	100	100	100	100	100	-	
MPH32-1.6	1.6	100	100	100	100	100	100	100	100	100	100	100	100	100	100	100	-	
MPH32-2.5	2.5	100	100	100	100	100	100	100	100	100	100	100	100	100	100	100	-	
MPH32-4.0	4	100	100	100	100	100	100	100	100	100	100	100	100	100	100	100	-	
MPH32-6.3	6.3	100	100	100	100	100	100	100	100	100	100	100	100	100	100	100	-	
MPH32-10	10	100	100	100	100	100	100	100	100	100	100	100	100	100	100	100	-	
MPH32-16	16	100	100	100	50	38	100	35	25	80	38	100	35	25	80	10	3	63
MPH32-20	20	100	100	100	50	38	125	35	25	80	38	125	35	25	80	10	3	63
MPH32-25	25	100	100	100	50	38	125	35	25	100	35	125	35	25	100	10	3	63
MPH32-32	32	100	100	100	50	38	125	35	25	100	35	125	35	25	100	10	3	63
MPH63-16	16	100	100	100	50	38	125	35	25	100	35	125	35	25	100	12	12	-
MPH63-20	20	100	100	100	50	38	125	35	25	100	35	125	35	25	100	12	12	-
MPH63-25	25	100	100	100	50	25	125	35	25	100	35	125	35	25	100	12	12	-
MPH63-32	32	100	100	100	50	25	125	35	25	100	35	125	35	25	100	10	10	-
MPH63-40	40	100	100	100	50	25	125	35	25	100	35	125	35	25	100	10	10	-
MPH63-45	45	100	100	100	50	25	125	35	25	100	35	125	35	25	100	10	10	-
MPH63-50	50	100	100	100	50	25	125	35	25	100	35	125	35	25	100	10	10	-
MPH63-63	63	100	100	100	50	25	125	35	25	100	35	125	35	25	100	10	10	-

① Fuse is used if I_{cc} is greater than I_{cu}

Technical Data

S.NO	PARAMETER	MPH32		MPH63	
		Relay ranges (A)	Rated Oper. current (A)	Relay ranges (A)	Rated Oper. current (A)
1	Relay ranges & Rated operational current	0.1 – 0.16	0.16	11 – 16	16
		0.16 - 0.25	0.25	14 – 20	20
		0.25 – 0.4	0.4	18 – 25	25
		0.4 – 0.63	0.63	22 – 32	32
		0.63 – 1.0	1.0	28 – 40	40
		1- 1.6	1.6	36 – 45	45
		1.6 – 2.5	2.5	40 – 50	50
		2.5 – 4	4.0	45 – 63	63
		4 – 6.3	6.3		
		6.3 – 10	10		
		10 – 16	16		
		16 – 20	20		
		20 – 25	25		
25 – 32	32				
2	Magnetic release operating current	13 In		13 In	
3	Trip class	10		10	
4	Operating frequency	50-60Hz		50-60Hz	
5	Degree of protection	IP20		IP20	
6	Certifications	UL, CE		UL	
7	Rated Insulation voltage	690 V		690 V	
8	Rated Impulse withstand voltage	6 kV		6 kV	
9	Utilisation category (i) IEC947-2 (Circuit breaker) (ii) IEC947-4-1 (Motor starter)	CAT A		CAT A	
		AC3		AC3	
10	Rated Thermal current	0.1 - 32		11 – 63	
11	Ambient temperature compensation	Available		Available	
12	Permissible altitude w/o Derating	2000m		2000m	
13	Suitability for group motor protection	Yes		Yes	
14	Self protected type E manual combination starter	Yes		Yes	
16	Mechanical life	1,00,000		50,000	
17	Electrical life Max switching frequency / Hour	1,00,000		50,000	
		15		15	
18	Frame size (L x B x H)	96 x 45 x 97 (in mm)		140 x 55 x 148.5 (in mm)	

19	Conductor Cross section For main circuit		
	Minimum/Maximum Conductor cross section		
	Solid strand	1-10mm ² x1	1-25mm ² x1
	Without/with end sleeve	1-6mm ² x2	1-16mm ² x2
	Terminal Type	Screw Type - M4	Box Terminal - M6

Notes: _____

Accessories

Type	Name	Description	Suitability	CAT No.
Front Mount 	Front auxiliary contact. One No per MPCB	1NO + 1NC	MPH32 MPH63	MPHF11
Left side mount				
	Side auxiliary contact One No per MPCB	1NO+1NC, 2NO 2NC	MPH32 & MPH63	MPHS11
	Trip indicating contact One per MPCB Can also be fitted in addition to auxiliary contact	Two sets of 1NO + 1NC are available with trip indication. One set is for short circuit and another set is for thermal tripping	MPH32	MPHT11
			MPH63	MPHT11F2
Under Voltage / Shunt Release				
	Under voltage release one number per MPCB	110 V 230 V 400 V	MPH32 & MPH63	MPH***UR
	Shunt trip one per MPCB	24 V AC/DC 110 V AC/DC 230 V AC / 220 V DC	MPH32 & MPH63	MPH***SR
	3-Phase in feed terminals	Conductor cross-section solid; 25 mm ²	MPH32 & MPH63	Offer on Request



For UV Release

*** (V)	Description
024	24V 50Hz
024	110 - 115V 50Hz
024	230 - 240V 50Hz
024	400 - 415V 50Hz

For Shunt Release

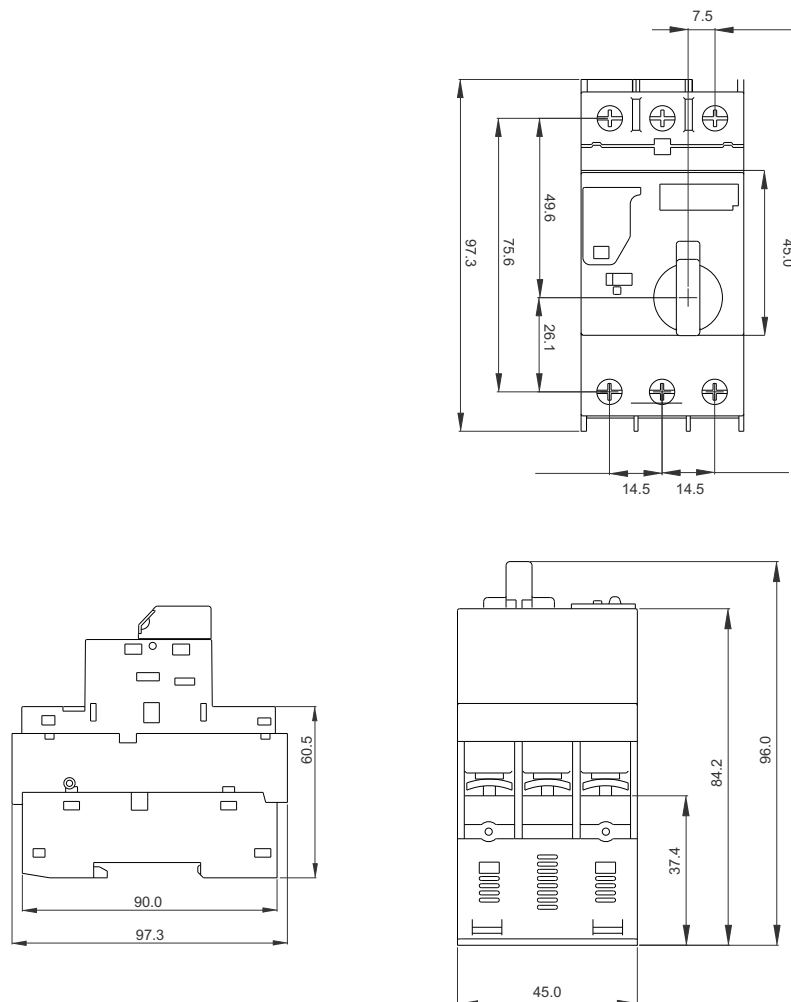
*** (V)	Description
024	20 - 24V, 50/60Hz
048	40 - 48V, 50/60Hz
440	365 - 440V, 50/60Hz
127	100 - 127V, 50/60Hz

Accessories

Type	Name	Description	Suitability	CAT No.
Insulated 3-Phase bus bar system				
	Modular spacing 45mm	for 2 MPCB w/o side accessories for 3 MPCB w/o side accessories for 4 MPCB w/o side accessories for 5 MPCB w/o side accessories	MPH32 & MPH63	Offer on Request
	3-Phase Busbars Modular Spacing 55m	for 2 MPCB w/o side accessories for 4 MPCB w/o side accessories		
	3-Phase Busbars Modular spacing 63mm	for 2 MPCB with side accessories for 4 MPCB with side accessories		
	3-Phase Busbars Modular spacing 75mm	for 2 MPCB with side accessories for 4 MPCB with side accessories		
	Door operating Mechanism with door interlock defeat facility, padlocking facility Extension shaft 300mm	Front Operated	MPH32	MPH34
			MPH63	MPH64F2

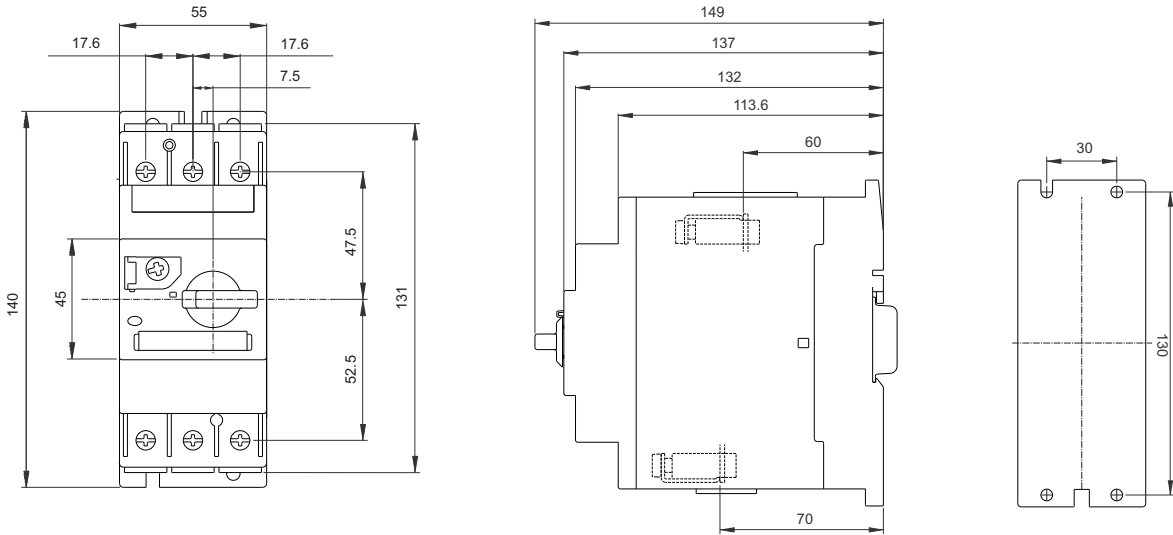
Dimensional Details

MPH32

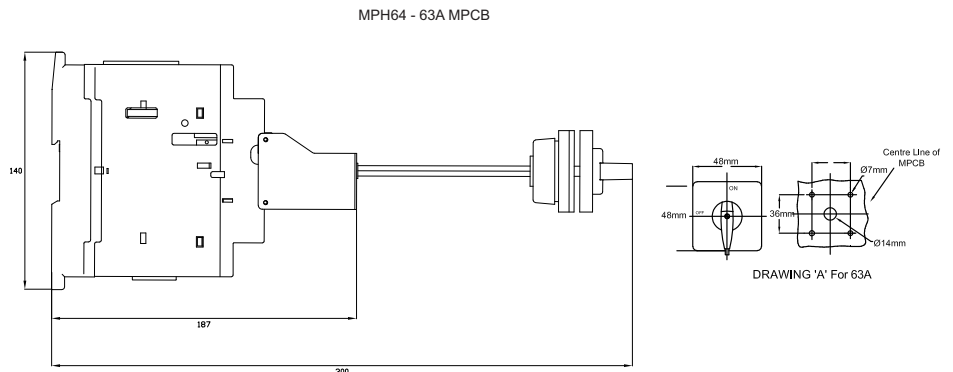
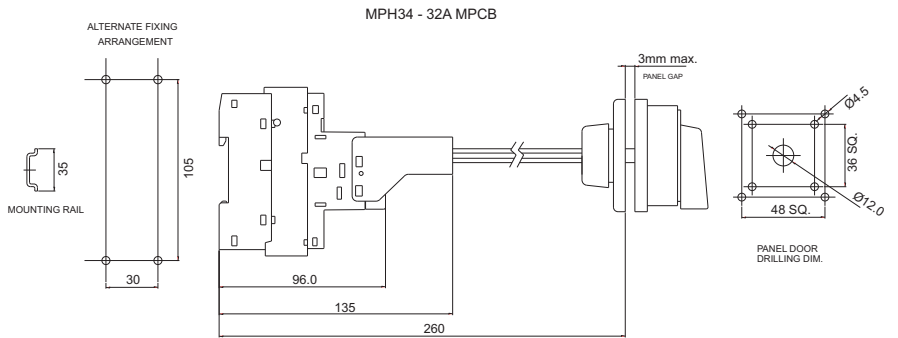
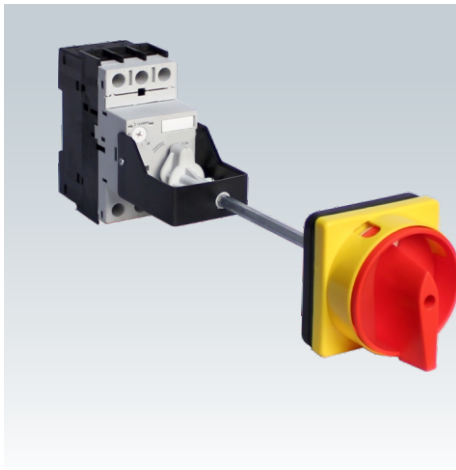


Dimensional Details

MPH63

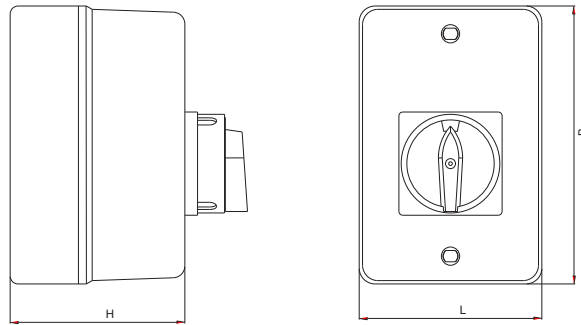
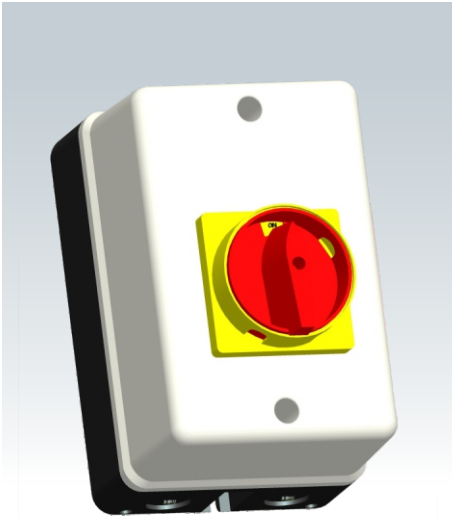


MPH34 & MPH64



B31SMA1

Plastic Enclosure

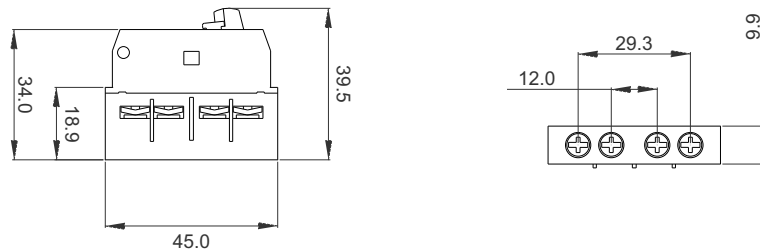


- Mounted in ABS Enclosure
- Round Padlocking Device (Max. 3 Padlocks) to Prevent the MPCB from being Made to ON by unauthorised persons
- Door Interlock-Cover Cannot Open in ON Condition

Model	L	B	H
B31 SMA1	115	175	110
B31 MA1	125	210	170

Dimension Details

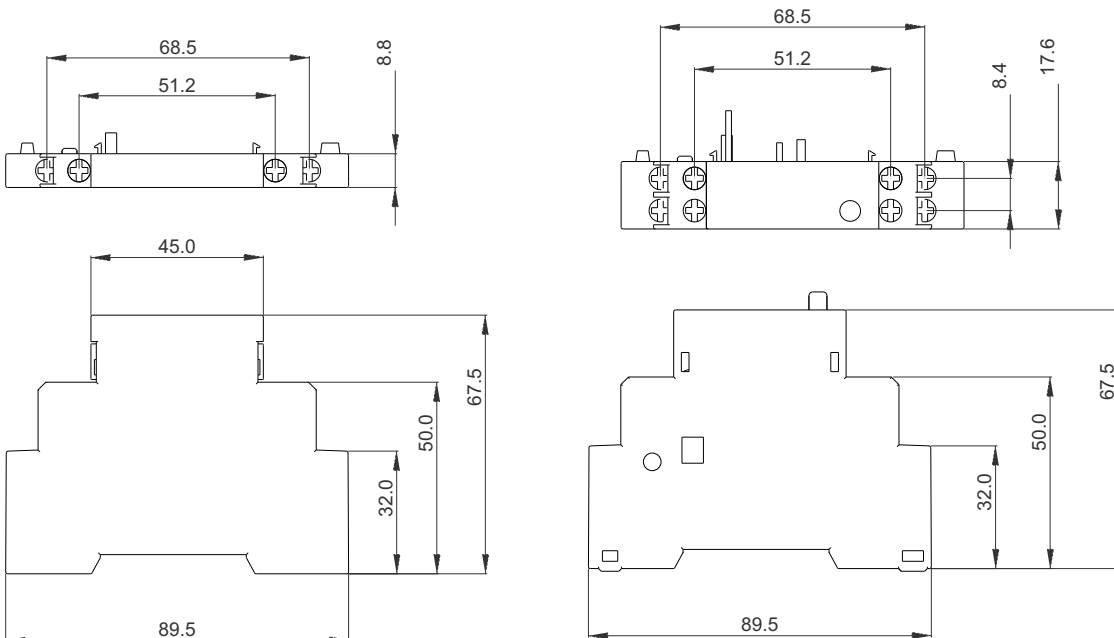
Front mount - NONC



Left side mount

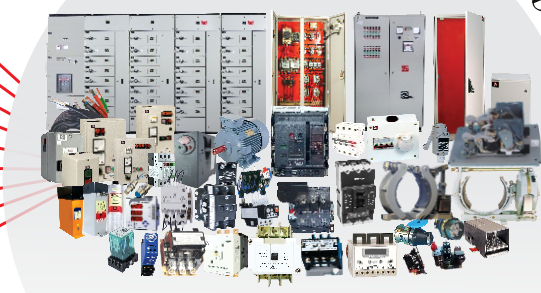
1NO 1NC, 2NO,2NC

Trip indicator contact



Power Control Products
Starters & Submersible Pump Starters
Industrial Enclosures
Industrial Products
Wires & Cables
Motor Control Products
Power Bus Duct
Customised Solution
Automation

a strong commitment to serve better always ...



BCH ELECTRIC LIMITED



www.bchindia.com



1800-103-9262

customercare@bchindia.com

Visit us at : www.bchindia.com

Corporate Office : 1105, New Delhi House, 27, Barakhamba Road, New Delhi - 110 001 Tel. : 91-11- 43673100

CIN : U31103WB1965PLC026427, **Customercare No.** 1800-103-9262, **E-mail :** marketing@bchindia.com

Registered Office : Block 1E, 216, Acharya Jagadish Chandra Bose Road, Kolkata - 700 017

Works 1 : 20/4, Mathura Road, Faridabad -121 006 (Haryana) Tel. : 0129-4063000/4293000 Fax : 0129-2304016

Works 2 : 64-68, Sector-7, IIE, Pant Nagar, Rudrapur, Udham Singh Nagar - 263 153 (Uttarakhand) Tel. : 05944-250214/16 Fax : 05944-250215

Sales Offices :

Ahmedabad
401, Ship Zeveri,
Beside Shyamal Iconic,
Above Westside,
Shyamal Cross Road,
Ahmedabad - 380015
E-mail: ahmedabad@bchindia.com

Bangalore
2nd Floor, 130/5,
K.H. Road (Double road),
Bangalore - 560 027
Tel.: 080-41144879 / 22236759
E-mail : bangalore@bchindia.com

Bhubaneswar
Mallick Commercial
Complex Plot No.: A/69, unit - 3
Bhubaneswar - 751 001
Tel.: 0674-2380988
E-mail: bhubaneswar@bchindia.com

Chandigarh (Panchkula)
SCO -270, 2nd Floor,
Sector-16, Panchkula
Haryana-134 113
Tel.: 0172-5078957 / 5049905
E-mail: chandigarh@bchindia.com

Chennai
Flat No. 3A, 3rd Floor,
Sree Apartments,
No.508, TTK Road,
Alwarpet, Chennai 600 018
Tel.: 044-24337046, 24337047
E-mail : chennai@bchindia.com

Coimbatore
87, Dr. Nanjappa Road,
Coimbatore - 641 018
Tel. : 0422-2305311 / 2302599
E-mail : coimbatore@bchindia.com

Delhi 1
801, Akash Deep Building,
26A, Barakhamba Road,
New Delhi - 110 001
Tel. : 011-23313878 / 43518200
E-mail : delhi@bchindia.com

Delhi 2
710, Deepali Building, 92
Nehru Place, New Delhi - 110 019
Tel. : 011-45720334
E-mail : delhi2@bchindia.com

Dehradun
8, Co-operative Industrial Estate,
Patel Nagar, Dehradun-248001
E-mail : dehradun@bchindia.com

Faridabad
20/4, Mathura Road,
Faridabad - 121 006 (Haryana)
Tel/fax. : 0129-4293009
E-mail : faridabad@bchindia.com

Hyderabad
1-8-303/48/13/102, Arya One,
2nd Floor, P. G. Road,
Secunderabad - 500 003
Tel. : 040-66206263/27890306
Fax : 040-66207273
E-mail : hyderabad@bchindia.com

Indore
330-331, Indraprastha Tower,
3rd Floor, 6, M.G. Road,
Indore - 452 001
Tel. : 0731-2510011 / 2510012
E-mail : indore@bchindia.com

Jaipur
25, Hathroi, Gopalbari,
Jaipur - 302 001
Tel. : 0141-2363521
E-mail : jaipur@bchindia.com

Jamshedpur
3rd Floor, Aastha Trade Centre,
'Q' Road, Bistupur,
Jamshedpur - 831 001
Tel. : 0657-2321097/2321481
E-mail : jamshedpur@bchindia.com

Kolkata
Block 1E, 216,
Acharya Jagadish Chandra Bose Road,
Kolkata - 700 017
Tel. : 033-22871728 / 46021884
E-mail : kolkata@bchindia.com

Lucknow
Madan Plaza, 3rd Floor,
14, Station Road,
Lucknow - 226 001
Tel. : 0522-4025597/4025997
E-mail : lucknow@bchindia.com

Ludhiana
S.C.O.- 18, 2nd Floor,
Feroze Gandhi Market,
Ludhiana - 140 001
Tel. : 0161-5021807/5022808
E-mail : ludhiana@bchindia.com

Mumbai
A-151, Mittal Tower,
Nariman Point,
Mumbai - 400 021
Tel. : 022-22822947/22850162
Fax : 022-22822858
E-mail : mumbai@bchindia.com

Pune
8, Sarosh Bhavan,
16-B/1, Dr. Ambedkar Road,
Pune - 411 001
Tel. : 020-41210002
E-mail : pune@bchindia.com

Raipur
6th Floor, Office No. 607,
Babylon Capital, Near Oswal
Petrol Pump, VIP Chowk,
G.E. Road, Raipur - 492 006
Tel. : 0771- 4045053
E-mail : raipur@bchindia.com

Vadodara
301, Third Floor, "Florence Classic",
10, Ashapuri Co-Op. Hsg. Soc. Ltd., Opp. VUDA Housing,
Near Cow Circle, Akota, Vadodara - 390 020
Tel. : 0265-2345068/2345069
Telefax : 0265-2345068,
E-mail : vadodara@bchindia.com

Other Branch Locations

Cochin : cochin@bchindia.com, **Guwahati :** guwahati@bchindia.com, **Vishakapatnam :** vizag@bchindia.com, **Surat :** surat@bchindia.com, **Trichy :** Trichy@bchindia.com

Resident Engineer Locations

Anantapur	Jodhpur	Madurai	Rajkot	Siliguri
Aurangabad	Jalandhar	Muzaffarnagar	Rajahmundry	Tirunelveli
Bhopal	Kanpur	Nagpur	Ranchi	Udaipur
Calicut	Katni	Nashik	Rourkela	Vapi
Gurgaon	Kharagpur	Nanded	Rudrapur	Vijayawada
Hosapate	Kota	Patna	Salem	Warangal
Hubli	Kolhapur	Puducherry	Satna	Yamuna Nagar

Since product improvement is a continuous process, the data furnished in this brochure may undergo revision without prior notice.