



BCH ELECTRIC LIMITED  
*we care for you*

## Soft starter- ASAB



# ASAB-Series Soft starter

Soft start/stop static starters for three-phase asynchronous motors.

The ASAB is an advanced digital soft start solution for motors from 7 kW to 800 kW. ASAB soft starters provide a complete range of motor and system protection features and have been designed for reliable performance in the most demanding installation situations.

## Technical features & Highlights

### Extensive starting and stopping options

- AAC Adaptive Acceleration Control
- Constant current
- Current ramp
- Timed voltage ramp soft stop
- Brake

### Models for all connection requirements

- 23 A to 1600 A (nominal)
- 200 VAC to 525 VAC
- 380 VAC to 690 VAC
- Internally bypassed up to 220 A
- In-line or inside delta connection (auto-detect)

### Inputs and outputs

- Remote control inputs (3 x fixed, 1 x programmable)
- Relay outputs (3 x programmable)
- Analog output
- Device Net, Modbus or Profi bus communication modules (optional)

### Easy-to-read display with comprehensive feedback

- Multi-language feedback
- Multiple status screens and performance graphs
- Date and time stamped event logging
- Operational counters (number of starts, hours run, kWh)
- Performance monitoring (current, voltage, power factor, kWh)
- User-programmable monitoring screen

### Customizable protection

- Motor overload
- Excess start time
- Undercurrent
- Instantaneous over current
- Current imbalance

- Mains frequency
- Input trip
- Motor thermistor
- Power circuit
- Phase sequence

### Soft Starter - Rating

Modello Model 200-525V	Size	Start per Hour	Bypassed ratings In-line connection				Start per Hour	Bypassed ratings Inside Delta connection			
			300%, 10s Light Dty	350%, 15s	400%, 20s	450%, 30s Hvy Dty		300%, 10s Light Dty	350%, 15s	400%, 20s	450%, 30s Hvy Dty
			N°	Amps	Amps	Amps		Amps	N°	Amps	Amps
ASAB-0023B/5/12/2	G1 no fan	10	23	20	17	15	10	35	30	26	22
ASAB-0043B/5/12/2	G1 no fan	10	43	37	31	26	10	65	59	51	44
ASAB-0053B/5/12/2	G1 no fan	10	53	53	46	37	10	80	80	69	55
ASAB-0076B/5/12/2	G1 no fan	6	76	64	55	47	6	114	96	83	70
ASAB-0097B/5/12/2	G1	6	97	82	69	58	6	146	123	104	87
SAB-0100B/5/12/2	G1	6	100	88	74	61	6	150	132	112	92
ASAB-0105B/5/12/2	G1	6	105	105	95	78	6	158	158	143	117
ASAB-0145B/5/12/0	G2	6	145	123	106	90	6	218	184	159	136
ASAB-0170B/5/12/0	G2	6	170	145	121	97	6	255	217	181	146
ASAB-0200B/5/12/0	G2	6	200	189	160	134	6	300	283	241	200
ASAB-0220B/5/12/0	G2	6	220	210	178	148	6	330	315	268	223
			Non Bypassed Ratings In-line connection				Non Bypassed ratings Inside delta connection				
ASAB-0255C/5/12/0	G3	6	255	231	201	176	6	383	346	302	264
ASAB-0380C/5/12/0	G4	6	380	380	359	299	6	570	570	539	449
ASAB-0430C/5/12/0	G4	6	430	430	368	309	6	645	645	552	464
ASAB-0620C/5/12/0	G4	6	620	620	540	434	6	930	930	810	651
ASAB-0650C/5/12/0	G4	6	650	650	561	455	6	975	975	842	683
ASAB-0790C/5/12/0	G4	6	790	790	714	579	6	1185	1185	1071	868
ASAB-0930C/5/12/0	G4	6	930	930	829	661	6	1395	1395	1244	992
ASAB-1200C/5/12/0	G5	6	1200	1200	1200	1071	6	1800	1800	1800	1606
ASAB-1410C/5/12/0	G5	6	1410	1410	1319	1114	6	2115	2115	1979	1671
ASAB-1600C/5/12/0	G5	6	1600	1600	1600	1353	6	2400	2400	2400	2030

### Product selection chart

Bypass/Non Bypass  
**B** = With Internal Bypass  
 Contactor  
**C** = Without Internal Bypass  
 Contactor (Continuous)

Control Voltage  
**12** = 110-120Vac or 220-240Vac  
**14** = 24Vac/Vdc

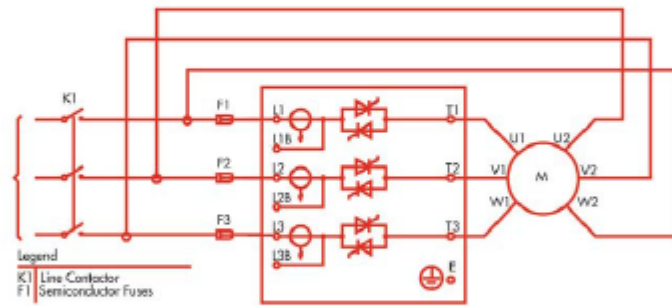
**ASAB XXXX B 7 12 2**

Ratings - Amps  
 Current in Amps e.g. 0023

Mains Voltage  
**5** = 200-525Vac  
**7** = 380-690Vac

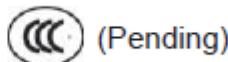
IP Rating  
**0** = IP00  
**2** = IP20

Inside Delta (6 wire connection possibility)



## Dimensions and weight

Models	Dimensions WxHxD mm (inches)	Weight kg (lbs)
ASAB-0023B	150x295x183 (5.9"x11.6"x7.2")	4.3 (9.5)
ASAB-0043B	150x295x183 (5.9"x11.6"x7.2")	4.3 (9.5)
ASAB-0053B	150x295x183 (5.9"x11.6"x7.2")	4.3 (9.5)
ASAB-0076B	150x295x183 (5.9"x11.6"x7.2")	4.5 (9.9)
ASAB-0097B	150x295x213 (5.9"x11.6"x8.4")	5.0 (11.0)
ASAB-0100B	150x295x213 (5.9"x11.6"x8.4")	5.0 (11.0)
ASAB-0105B	150x295x213 (5.9"x11.6"x8.4")	5.0 (11.0)
ASAB-0145B	275x438x250 (10.8"x17.2"x9.9")	15 (33.0)
ASAB-0170B	275x438x250 (10.8"x17.2"x9.9")	15 (33.0)
ASAB-0200B	275x438x250 (10.8"x17.2"x9.9")	15 (33.0)
ASAB-0220B	275x438x250 (10.8"x17.2"x9.9")	15 (33.0)
ASAB-0255B	424x440x392 (16.7"x17.3"x15.4")	26 (57.2)
ASAB-0350B	424x440x392 (16.7"x17.3"x15.4")	30.2 (66.6)
ASAB-0425B	424x440x392 (16.7"x17.3"x15.4")	30.2 (66.6)
ASAB-0500B	433x640x600 (17.0"x25.2"x23.6")	49.5 (109.1)
ASAB-0580B	433x640x600 (17.0"x25.2"x23.6")	49.5 (109.1)
ASAB-0700B	433x640x600 (17.0"x25.2"x23.6")	60 (132.3)
ASAB-0820B	433x640x600 (17.0"x25.2"x23.6")	60 (132.3)
ASAB-0920B	433x640x600 (17.0"x25.2"x23.6")	60 (132.3)
ASAB-1000B	433x640x600 (17.0"x25.2"x23.6")	60 (132.3)
ASAB-0255C	390x460x280 (15.4"x18.1"x11.0")	24 (52.9)
ASAB-0380C	430x689x300 (16.9"x27.1"x11.8")	45 (98.1)
ASAB-0430C	430x689x300 (16.9"x27.1"x11.8")	45 (98.1)
ASAB-0620C	430x689x300 (16.9"x27.1"x11.8")	45 (98.1)
ASAB-0650C	430x689x300 (16.9"x27.1"x11.8")	45 (98.1)
ASAB-0790C	430x689x300 (16.9"x27.1"x11.8")	45 (98.1)
ASAB-0930C	430x689x300 (16.9"x27.1"x11.8")	53 (116.8)
ASAB-1200C	585x856x364 (23.0"x33.7"x14.3")	117 (257.9)
ASAB-1410C	585x856x364 (23.0"x33.7"x14.3")	117 (257.9)
ASAB-1600C	585x856x364 (23.0"x33.7"x14.3")	130 (286.6)



# BCH ELECTRIC LIMITED

Visit us at : [www.bchindia.com](http://www.bchindia.com)

**Corporate Office :** 1105, New Delhi House, 27, Barakhamba Road, New Delhi - 110 001 Tel. : 91-11-23316029/3610/6539 Fax : 91-11-23715249 E-Mail : [marketing@bchindia.com](mailto:marketing@bchindia.com)  
**Registered Office :** Block 1E, 216, Acharya Jagadish Chandra Bose Road, Kolkata - 700 017  
**Works :** 20/4, Mathura Road, Faridabad - 121 006 (Haryana) Tel. : 0129-4063000/4061026 Fax : 0129-2304024

## Sales Offices :

**Ahmedabad**  
93, City Centre,  
Near Swastik Char Rasta,  
C.G.Road, Navrangpura,  
Ahmedabad - 380 009  
**Tel.:** (079) 26565719, 26565728  
**Mobile:** 98256-07601  
Fax : (079) 26561210  
E-mail : [ahmedabad@bchindia.com](mailto:ahmedabad@bchindia.com)

**Bangalore**  
B.M.H. Complex, 1<sup>st</sup> Floor,  
No. 22, Kengal Hanumanthiah Road,  
Bangalore - 560 027  
**Tel.:** 080-22273478, 41144878, 41144879  
**Mobile:** 98455-46105  
Fax : 080-22236759  
E-mail : [bangalore@bchindia.com](mailto:bangalore@bchindia.com)

**Bhubaneswar**  
Plot No. 4708/1,  
Gajapati Nagar,  
Bhubaneswar - 750 005  
**Tel.:** 0674-2301767  
**Mobile:** 98610-81767  
E-mail : [bhubaneswar@bchindia.com](mailto:bhubaneswar@bchindia.com)

**Chandigarh**  
SCO 121-22-23, 1<sup>st</sup> Floor,  
Sector 34-A, Chandigarh - 160 022  
**Tel.:** 0172-6079357  
**Mobile:** 98554-87089  
E-mail : [chandigarh@bchindia.com](mailto:chandigarh@bchindia.com)

**Chennai**  
LVR CENTRE, 3<sup>rd</sup> Floor  
No. 7, Seshadri Road,  
Amarpet, Chennai - 600 018  
**Tel.:** 044-2497042, 24997002  
**Mobile:** 98402-85500  
Fax : 044-24996853  
E-mail : [chennai@bchindia.com](mailto:chennai@bchindia.com)

**Cochin**  
2<sup>nd</sup> Floor, 32/1495  
B-1, Chakos Chambers,  
By Pass Junction,  
Cochin - 682 025  
**Tel.:** 0484-6593697  
**Mobile:** 98477-43393  
E-mail : [cochin@bchindia.com](mailto:cochin@bchindia.com)

**Coimbatore**  
87, Dr. Nanjappa Road,  
Coimbatore - 641 018  
**Tel.:** 0422-2305311  
**Mobile:** 98430-53555  
Fax : 0422-2302599  
E-mail : [coimbatore@bchindia.com](mailto:coimbatore@bchindia.com)

**Faridabad**  
110 & 117, Om Shubham Tower  
Newlam Bata Road, N.L.T.  
Faridabad - 121 001 (Haryana)  
**Mobile:** 98180-10700  
E-mail : [faridabad@bchindia.com](mailto:faridabad@bchindia.com)

**Gurgaon**  
SF-203, Navkriti Arcade  
Block-A, Sushant Lok, Phase-II  
Gurgaon - 122 001 (Haryana)  
**Mobile:** 99101-55464  
E-mail : [gurgaon@bchindia.com](mailto:gurgaon@bchindia.com)

**Guwahati**  
2<sup>nd</sup> Floor, Maya Ville,  
Borthakur Mill Road, Ulubari  
Guwahati - 781 007  
**Mobile:** 09435407024  
E-mail : [guwahati@bchindia.com](mailto:guwahati@bchindia.com)

**Hospat**  
940C, Third Cross  
Third Ward, Patel Nagar  
Station Road,  
Hospet-583201  
**Tel.:** 0845930782  
E-mail : [hospet@bchindia.com](mailto:hospet@bchindia.com)

**Hubli**  
A-5, Navaniketan Apartments  
Ashok Nagar  
Hubli (Karnataka)  
**Tel.:** 0836-3090472  
**Mobile No.:** 98502-90471  
E-mail : [hubli@bchindia.com](mailto:hubli@bchindia.com)

**Hyderabad**  
210, Prajey Corporate House,  
1-10-63864, Chikoti Garden,  
Begumpet, Hyderabad - 500 016  
**Tel.:** 040-66206263/27763325  
**Mobile:** 98493-99240  
Fax : 040-66207273  
E-mail : [hyderabad@bchindia.com](mailto:hyderabad@bchindia.com)

**Indore**  
330-331, Indraprastha Tower,  
6, MG Road, Indore - 452 001  
**Tel.:** 0731-2510011  
**Mobile:** 98266-66091  
E-mail : [indore@bchindia.com](mailto:indore@bchindia.com)

**Jaipur**  
25, Hathroi, Gopalbari,  
Jaipur - 302 001  
**Tel.:** 0141-5104521  
**Mobile:** 98290-10813  
Fax : 0141-2363521  
E-mail : [jaipur@bchindia.com](mailto:jaipur@bchindia.com)

**Jamshedpur**  
3<sup>rd</sup> Floor, Aastha Trade Centre,  
'Q' Road, Bistapur,  
Jamshedpur - 831001  
**Tel.:** 0657-6573507  
**Mobile:** 98351-82109  
Fax : 0657-2420439  
E-mail : [jamshedpur@bchindia.com](mailto:jamshedpur@bchindia.com)

**Kolkata**  
East India House,  
3<sup>rd</sup> Floor, 20-B, Abdul Hamid  
Street, Kolkata - 700 069  
**Tel.:** 033-22138508 / 10  
**Mobile:** 98303-36101  
Fax : 033-22138512  
E-mail : [kolkata@bchindia.com](mailto:kolkata@bchindia.com)

**Lucknow**  
Madan Plaza, 3<sup>rd</sup> Floor,  
14, Station Road, Lucknow  
**Tel.:** 0522-4025597/402597/4025697  
**Mobile:** 98399-12304  
E-mail : [lucknow@bchindia.com](mailto:lucknow@bchindia.com)

**Ludhiana**  
S.C.O - 18, 1<sup>st</sup> Floor,  
Feroze Gandhi Market,  
Ludhiana - 140 001  
**Tel.:** 0161-5021807  
**Mobile:** 98765-87088  
Fax : 0161-2771807  
E-mail : [ludhiana@bchindia.com](mailto:ludhiana@bchindia.com)

**Madurai**  
E 168/69, Santanam Road  
TVS Nagar  
Madurai-625003  
**Tel.:** 09843133990  
E-mail : [madurai@bchindia.com](mailto:madurai@bchindia.com)

**Mumbai**  
A-151, Mittal Tower,  
Nariman Point,  
Mumbai - 400 021  
**Tel.:** 022-22822947/22826039  
**Mobile:** 98923-00706  
Fax : 022-22822858  
E-mail : [mumbai@bchindia.com](mailto:mumbai@bchindia.com)

**Nagpur**  
Block No. 238-B,  
Opp. Dharamdas Darbar,  
Nr. Choudhary Chowk, Jaripatka,  
Nagpur, Maharashtra - 440 014  
**Mobile:** 99701-80877  
E-mail : [nagpur@bchindia.com](mailto:nagpur@bchindia.com)

**New Delhi**  
801, Akash Deep,  
26A, Barakhamba Road,  
New Delhi - 110 001  
**Tel.:** 011-23313878  
**Mobile:** 98102-12502  
Fax : 011-23739230  
E-mail : [delhi@bchindia.com](mailto:delhi@bchindia.com)

**Pune**  
8, Sarosh Bhawan,  
16-B/1, Dr. Ambedkar Road,  
Pune - 411 001  
**Tel.:** 020-26052590  
**Mobile:** 98220-11086  
Fax : 020-26135224  
E-mail : [pune@bchindia.com](mailto:pune@bchindia.com)

**Rajpur**  
2<sup>nd</sup> Floor,  
Building No-B-234,  
Indira Gandhi  
Vyvasayik Parisar,  
Pandri, Rajpur - 492 004  
**Tel.:** 0771-4020213  
**Mobile:** 98266-66092  
E-mail : [rajpur@bchindia.com](mailto:rajpur@bchindia.com)

**Surat**  
601/A, 21<sup>st</sup> Century Business Centre  
Ring Road  
Surat - 395 002  
**Mobile:** 91 9825607617  
E-mail : [surat@bchindia.com](mailto:surat@bchindia.com)

**Trichy**  
Kingston Park,  
Second Floor,  
19/1, Pultar High Road,  
Ramalinga Nagar,  
Trichy - 620 003.  
**Mobile:** 99406 76502  
E-mail : [trichy@bchindia.com](mailto:trichy@bchindia.com)

**Vadodara**  
101, Toran Complex,  
Vikas Nagar  
Old Padra Road  
Vadodara - 390 020.  
**Tel.:** 0265-6548444  
E-mail : [baroda@bchindia.com](mailto:baroda@bchindia.com)

**Vishakapatnam**  
Venu Valbhavam, 2<sup>nd</sup> Floor,  
Flat No. 201, Palace  
Layout, Pedda Waltair,  
Vishakapatnam - 530 017  
**Mobile:** 98493-99238  
E-mail : [vizag@bchindia.com](mailto:vizag@bchindia.com)

**Western UP & Uttarakhand**  
8, Cooperative Industrial Estate  
Patel Nagar  
Dehradun - 248001  
Uttarakhand  
**Mobile:** 9760005793  
E-mail : [dehradun@bchindia.com](mailto:dehradun@bchindia.com)

## Resident Engineers Locations Tel.

Agartala	94361-28939	Kolhapur	98906-26205	Kota	98290-14899	Mangalore	98457-31944	Tirupathi	98661-30930
Halidwani	99970-12643	Nashik	98900-12944	Navli Mumbai	98923-00701	Pondichery	98942-22033	Warangal	98495-51691
Kanpur	98392-34539	Salem	98433-19533	Silchar	94354-04033	Siliguri	98320-11433		
Muzaffarnagar	98970-73741	Udaipur	98292-44085	Vijayawada	98662-20504	Bhilai	98266-12907		
Renukoot	98399-55117	Bhopal	98266-66093	Baddi	93187-78975	Gwalior	98268-03658		
Ambala	93541-18839	Ghaziabad	98107-44937	Gorakhpur	98392-24988	Jodhpur	98292-18618		
Durgapur	97320-03364	Jabalpur	98268-03656	Jalandhar	98763-47188	Rajkot	98256-04709		

Since product improvement is a continuous process, the data furnished in this brochure may undergo revision without prior notice.