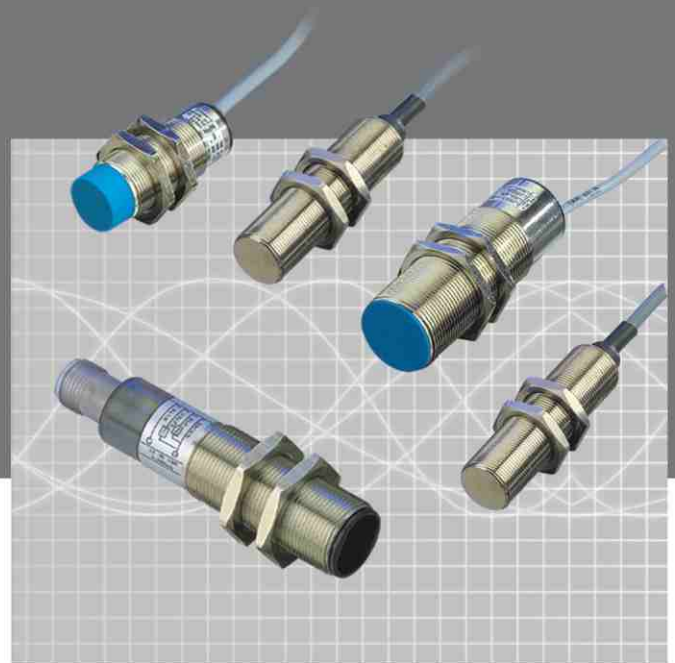
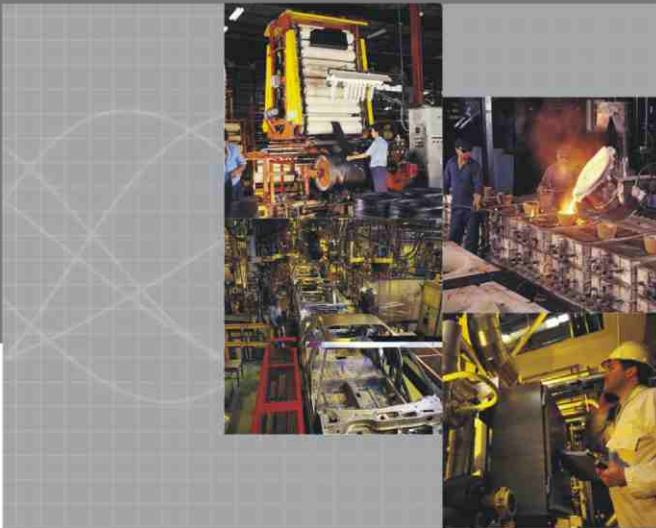


@PROX



ELECTRONIC SENSORS



BCH ELECTRIC LIMITED
we care for you



@PROX[®] Electronic Sensors

- Wide range of high performance Inductive, Capacitive & Photo Sensors.
 - Applicable Standards :
 - IS-13947
 - EN-61000-3-3 & EN-61000-3-4
 - CSA-22.2 NO. 14-95
 - Utilisation Category :
 - DC 13As per IEC 60947-5-2
- @PROX Sensors for all manufacturing sectors.
 - @PROX Sensors for every process industry requirement.
 - @PROX Sensors for plant automation.
 - @PROX Sensors for best quality, efficiency & safety.

Inductive Proximity

Standard Version

- Sizes/Diameters : M8, M12, M18 & M30
- Switching Distance : 1.5mm to 15mm
- Models with Standard 2 meter cable or connector
- Wide range of outputs (PNP/NPN/DC 2 WIRE / AC 2 WIRE)
- Available in Flush/Non Flush version
- Standard 65mm length
- Short length (45mm) also available in M8, M12, M18 DC models
- M18 Linear Output Sensors (0-10V / 4-20 mA DC)



Special Version (On request)

- Sizes/Diameters : M4, M6, M10, M14, M16, M20, M22, M24, M36, M45, M50 & M80
- Namur Sensors
- Non Ferrous Inductive Proximity switches
- Inductive Proximity (Square/Slot/Rectangular shape)
- Sensing Distance : upto 40mm
- High Temperature Models operating upto 125°C

Capacitive Proximity

Standard Version

- Sizes/Diameters : M18 & M30
- Available in 3 wire DC version (with 1 NO contact configuration) upto 15mm Sensing Distance
- Available in AC (2 wire version)
- Sensitivity adjustment through multi turn trimmer

Special Version

- Sizes/Diameters : M12, M24, M30, M50 & M60
- Connector Version available in M30, M50
- High Temperature Models with operating Temperature upto 125°C
- Available in Square shape in sizes 112x40x40; 118x40x40; 120x50x50

Photo Electric



- Sensing range : 20cm to 5m
- M18 Cylindrical Photoelectric Sensors
- Diffuse Reflective
- Retro Reflective
- Thru Beam Emitter-Receiver
- Models with cable or connector output

... also available

- Photo Sensors in Rectangular Housing



Inductive Proximity

M8

M12

| | SHIELDED | NON-SHIELDED | SHIELDED | NON-SHIELDED |
|---|----------------------|--------------|-----------------------------|---------------------|
| Nominal Sensing Distance (S_n) | 1.5 mm | 2 mm | 2 mm | 4 mm |
| S _n Tolerance | ± 10% | | ± / -10% | |
| Operating Frequency | 1500 Hz | | 1000 Hz (DC); 15 Hz (AC) | |
| Supply Voltage | 12-30V DC | | 12-30V DC; 240V AC/110 V AC | |
| Hysteresis | ≤ 10% | | ≤ 10% | |
| Repeatability | ≤ 2% | | ≤ 2% | |
| Max. Output Current | 100 mA | | 200 mA | |
| Output Indication | LED | | LED | |
| Leakage Current (Load) | Max. 10µA (DC) | | Max. 10µA (DC) | |
| Operating Temperature | 0 to +70°C | | 0 to +70°C | |
| Protection Degree | IP 67 | | IP 67 | |
| Protections | Reverse Polarity | | Provided | |
| | Short Circuit | | Provided | |
| | False Pulse | | Provided | |
| | Transient Noise | | Provided | |
| | Housing | | SS 304 | Nickle Plated Brass |
| Marks | CE | | CE | |
| Output (NO/NC) | 3 Wire DC; 2 Wire AC | | 3 Wire DC; 2 Wire AC | |



Inductive Proximity

M18

M30

| | SHIELDED | NON-SHIELDED | SHIELDED | NON-SHIELDED |
|---|-----------------------------|--------------|-----------------------------|---------------------|
| Nominal Sensing Distance (S_n) | 5 mm | 8 mm | 10 mm | 15 mm |
| S _n Tolerance | ± / -10% | | ± / -10% | |
| Operating Frequency | 500 Hz (DC); 15 Hz (AC) | | 200 Hz (DC); 15 Hz (AC) | |
| Supply Voltage | 12-30V DC; 240V AC/110 V AC | | 12-30V DC; 240V AC/110 V AC | |
| Hysteresis | ≤ 10% | | ≤ 10% | |
| Repeatability | ≤ 2% | | ≤ 2% | |
| Max. Output Current | 400 mA | | 400 mA | |
| Output Indication | LED | | LED | |
| Leakage Current (Load) | Max. 10µA (DC) | | Max. 10µA (DC) | |
| Operating Temperature | 0 to +70°C | | 0 to +70°C | |
| Protection Degree | IP 67 | | IP 67 | |
| Protections | Reverse Polarity | | Provided | |
| | Short Circuit | | Provided | |
| | False Pulse | | Provided | |
| | Transient Noise | | Provided | |
| | Housing | | Nickle Plated Brass | Nickle Plated Brass |
| Marks | CE | | CE | |
| Output (NO/NC) | 3 Wire DC; 2 Wire AC | | 3 Wire DC; 2 Wire AC | |

* **Special Versions** : 1 NO + 1 NC output (4 Wire) Sensors are available on request



Capacitive Proximity

M18

M30

| | SHIELDED | NON-SHIELDED | SHIELDED | NON-SHIELDED |
|---|----------------------------|-------------------|--|--|
| Nominal Sensing Distance (S_n) | 2 to 5 mm | 2 to 10 mm | 2 to 10 mm (DC) 3 to 10 mm (AC) | 2 to 15 mm (DC) 3 to 15 mm (AC) |
| S _n Tolerance | ± 10% | | ± 10% | |
| Operating Frequency | 25 Hz (DC); 15 Hz (AC) | | 25 Hz (DC); 15 Hz (AC) | |
| Supply Voltage | 12-30V DC; 240V AC/110V AC | | 12-30V DC; 240V AC/110V AC | |
| Hysteresis | ≤ 15% | | ≤ 15% | |
| Repeatability | ≤ 2% | | ≤ 2% | |
| Max. Output Current | 400 mA | | 400 mA | |
| Output Indication | LED | | LED | |
| Leakage Current (Load) | Max. 10μA (DC) | | Max. 10μA (DC) | |
| Operating Temperature | 0 to +70°C | | 0 to +70°C | |
| Protection Degree | IP 67 | | IP 67 | |
| Protections | Reverse Polarity | | Provided | |
| | Short Circuit | | Provided | |
| | False Pulse | | Provided | |
| | Transient Noise | | Provided | |
| Housing | Nickle Plated Brass | | Nickle Plated Brass | |
| Marks | CE | | CE | |
| Output (NO/NC) | 3 Wire DC; 2 Wire AC | | 3 Wire DC; 2 Wire AC | |

* Special Versions : DC-4 Wire version on request

DC 2 Wire Inductive Proximity Sensors

| | M8 | | M12 | | M18 | | M30 | |
|---|------------------|--------------|----------------------|--------------|---------------------|--------------|---------------------|--------------|
| | Shielded | Non Shielded | Shielded | Non Shielded | Shielded | Non Shielded | Shielded | Non Shielded |
| Nominal Sensing Distance (S_n) | 1.5 mm | 2 mm | 2 mm | 4 mm | 5 mm | 8 mm | 10 mm | 15 mm |
| S _n Tolerance | ± 10% | | ± 10% | | ± 10% | | ± 10% | |
| Operating Frequency | 1500 Hz | | 1000 Hz | | 500 Hz | | 200 Hz | |
| Supply Voltage | 12-30V DC | | 12-30V DC | | 12-30V DC | | 12-30V DC | |
| Hysteresis | ≤ 10% | | ≤ 10% | | ≤ 10% | | ≤ 10% | |
| Repeatability | ≤ 2% | | ≤ 2% | | ≤ 2% | | ≤ 2% | |
| Max. Output Current | 100 mA | | 200 mA | | 400 mA | | 400 mA | |
| Voltage Drop Across switch* | ≤ 4.5V | | ≤ 4.5V | | ≤ 4.0V | | ≤ 4.0V | |
| Output Indication | LED | | LED | | LED | | LED | |
| Operating Temperature | 0 to +70°C | | 0 to +70°C | | 0 to +70°C | | 0 to +70°C | |
| Protection Degree | IP 67 | | IP 67 | | IP 67 | | IP 67 | |
| Protections | Reverse Polarity | | Provided (PTC Based) | | Provided | | Provided | |
| | Short Circuit | | Provided | | Provided | | Provided | |
| | False Pulse | | Provided | | Provided | | Provided | |
| | Transient Noise | | Provided | | Provided | | Provided | |
| Housing | SS 304 | | Nickle Plated Brass | | Nickle Plated Brass | | Nickle Plated Brass | |
| Marks | CE | | CE | | CE | | CE | |
| Output (NO/NC) | 2 Wire DC | | 2 Wire DC | | 2 Wire DC | | 2 Wire DC | |

* Under test condition



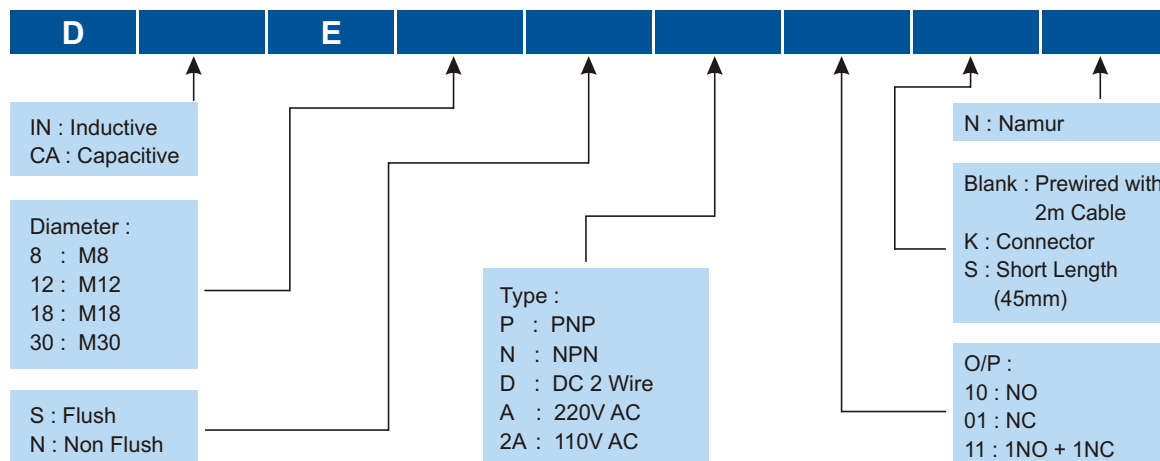
Photoelectric Sensors

| | THRU BEAM | RETRO REFLECTIVE | DIFUUSE |
|------------------------|------------------|-----------------------|---------|
| Sensing Range S_n | 5 m | 1 m | 20 cm |
| Size | | M18 | |
| Sensing Tolerance | | $\pm 10\%$ | |
| Operating Frequency | | 25 Hz | |
| Supply Voltage | | 12 - 30V DC | |
| Hysteresis | | $\leq 15\%$ | |
| Repeatability | | $\leq 2\%$ | |
| Max. Output Current | | 200 mA | |
| Output Indication | | LED | |
| Leakage Current (Load) | | Max. 10 μ A | |
| Operating Temperature | | 0 to +70°C | |
| Protection Degree | | IP 67 | |
| Protections | Reverse Polarity | Provided | |
| | Short Circuit | Provided | |
| | False Pulse | Provided | |
| | Transient Noise | Provided | |
| Housing | | Nickle Plated Brass | |
| Marks | | CE | |
| Output | | 4 Wire DC (1NO + 1NC) | |

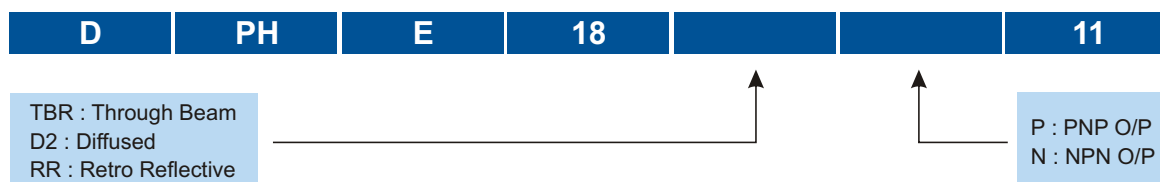
* Also available : AC-2 W version on request

Ordering Information

Inductive/Capacitive Sensors



Photoelectric Sensors

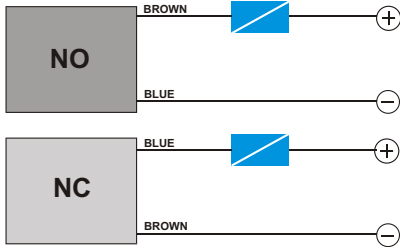


Note : 11 (NO+NC) output is not available in 2 wires DC/AC sensors

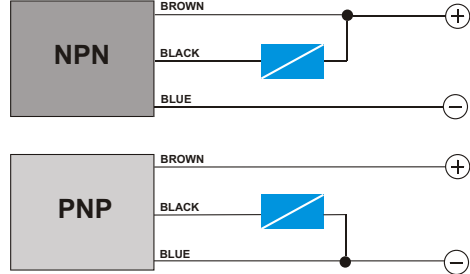


Wiring Diagram

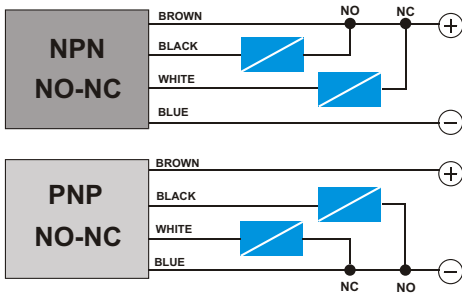
DC-2W



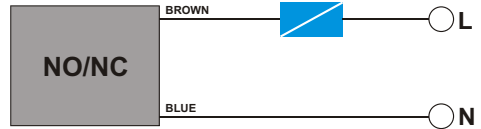
DC-3W



DC-4W

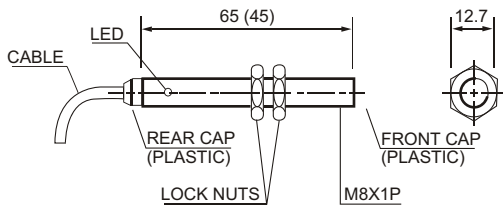


AC-2W

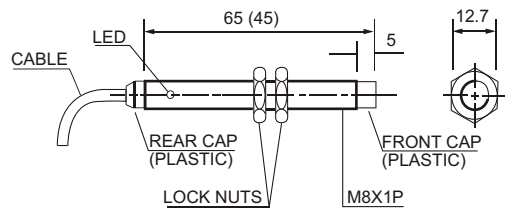


Dimensions

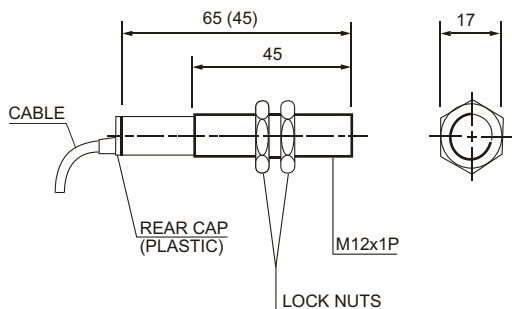
DINE8SNXX / DINE8SPXX



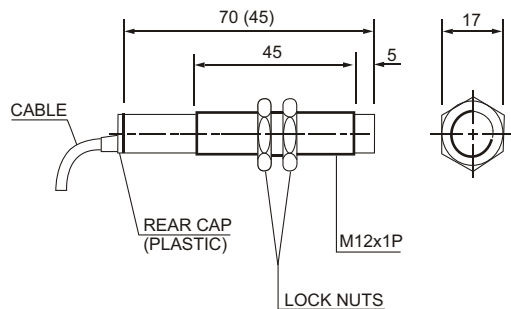
DINE8NNXX / DINE8N



DINE12SNXX / DINE12SPXX



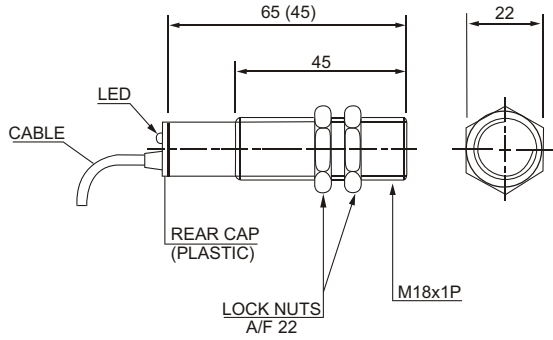
DINE12NNXX / DINE12NPX



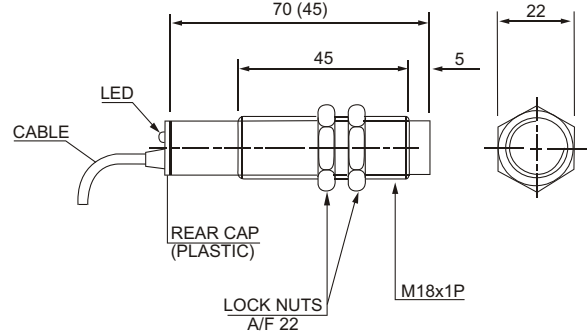


Dimensions

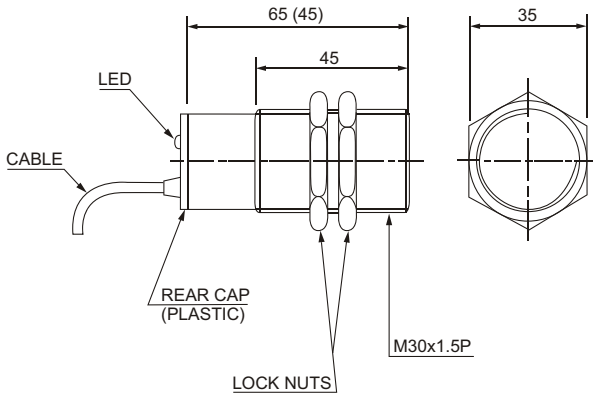
DINE18SNXX / DINE18SPXX



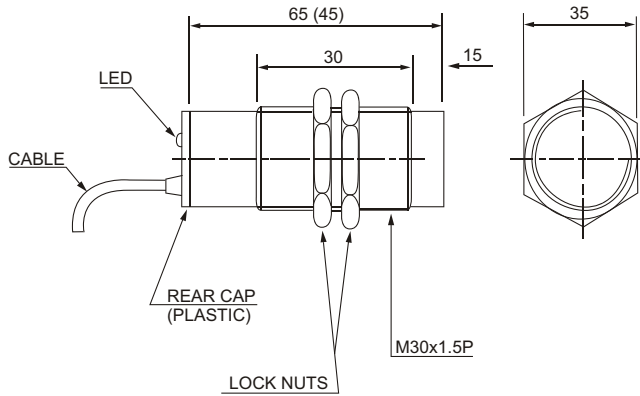
DINE18NNXX / DINE18NPX



DINE30SNXX / DINE30SPXX



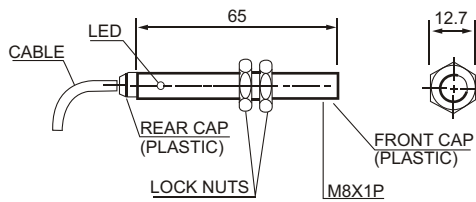
DINE30NNXX / DINE30NPX



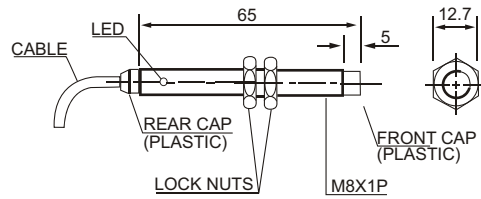
(45) : Indicates overall length of "Short Length" sensors

2 WIRE DC / AC

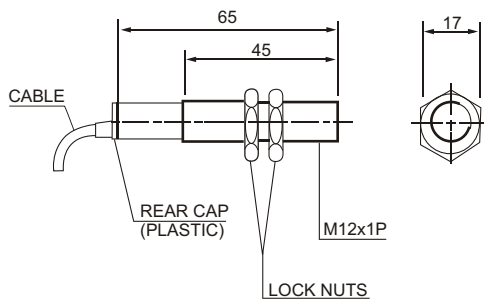
DINE8SDXX



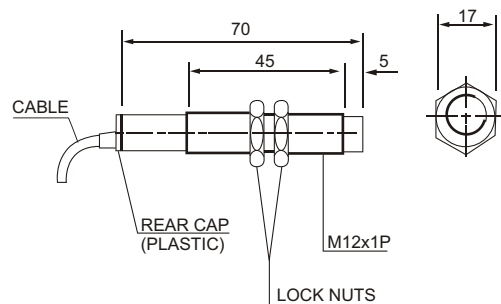
DINE8NDXX



DINE12SXXX



DINE12NXXX

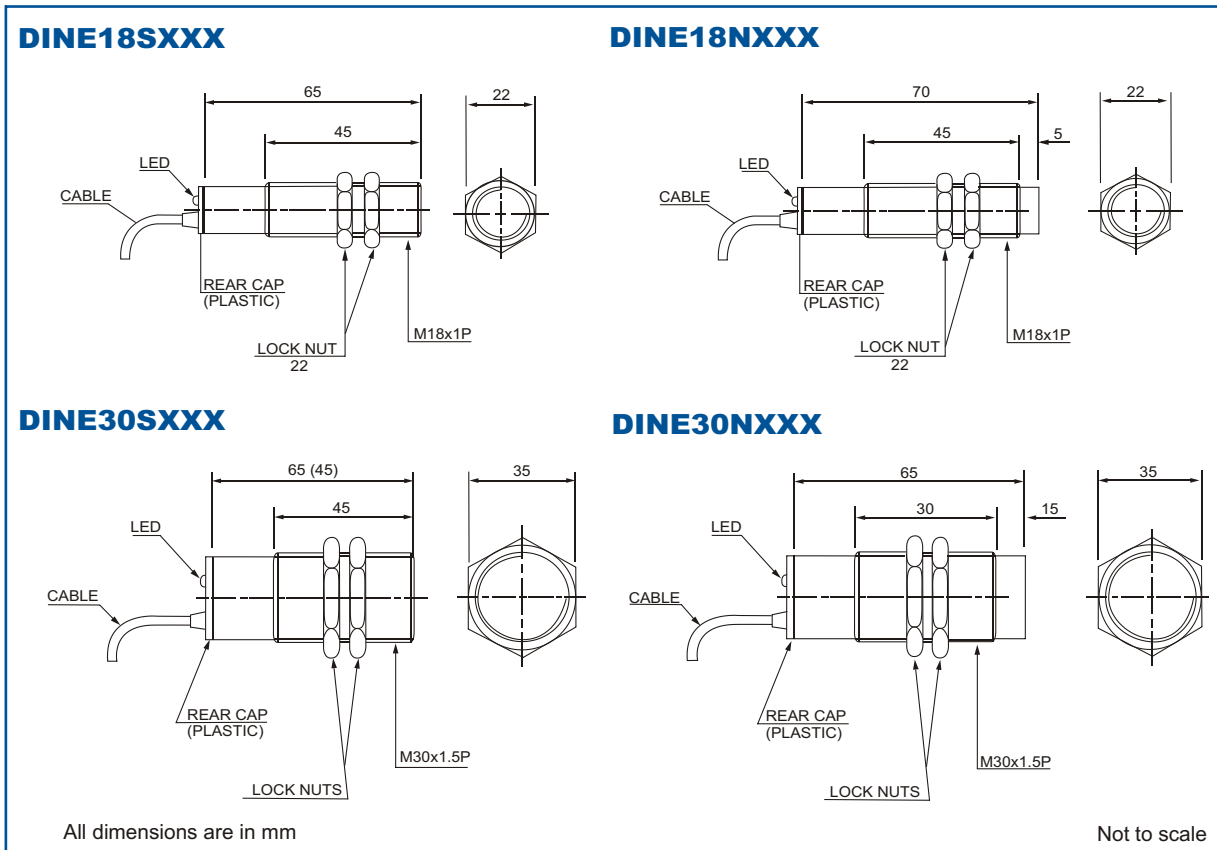


All dimensions are in mm

Not to scale



Dimensions



All dimensions are in mm

Not to scale

BCH ELECTRIC LIMITED

Visit us at : www.bchindia.com

Corporate Office : 1105, New Delhi House, 27, Barakhamba Road, New Delhi - 110 001 Tel. : 91-11-23316029/3610/6539 Fax : 91-11-23715249 E-Mail : marketing@bchindia.com
Registered Office : Block 1E, 216, Acharya Jagadish Chandra Bose Road, Kolkata - 700 017
Works : 20/4, Mathura Road, Faridabad - 121 006 (Haryana) Tel. : 0129-4063000/4061026 Fax : 0129-2304024

Sales Offices :

Ahmedabad
93, City Centre,
Near Swastik Char Rasta,
C.G.Road, Navrangpura,
Ahmedabad - 380 009
Tel.: (079) 26565719, 26565728
Mobile: 98256-07601
Fax : (079) 26561210
E-mail: ahmedabad@bchindia.com

Bangalore
B.M.H. Complex, IInd Floor,
No. 22, Kengal Hanumanthiah Road,
Bangalore - 560 027
Tel. : 080-22273478, 41144878, 41144879
Mobile : 98455-46105
Fax : 080-22236759
E-mail : bangalore@bchindia.com

Bhubaneswar
Plot No. 4, 4708/1,
Gajapati Nagar,
Bhubaneswar - 750 005
Tel. : 0674-2301767
Mobile : 98610-81767
E-mail: bhubaneswar@bchindia.com

Chandigarh
SCO 121-22-23, 1st Floor,
Sector 34-A, Chandigarh - 160 022
Tel. : 0172-5078957
Mobile : 98554-87089
E-mail : chandigarh@bchindia.com

Chennai
LVR CENTRE, 3rd Floor
No. 7, Seshadri Road,
Alwarpet, Chennai - 600 018
Tel. : 044-24997042, 24997002
Mobile : 98402-85500
Fax : 044-24996853
E-mail : chennai@bchindia.com

Cochin
2nd Floor, 32/1495
B-1, Chakos Chambers,
By Pass Junction,
Cochin - 682 025
Mobile : 0484-6593697
Mobile : 98477-43393
E-mail : cochin@bchindia.com

Coimbatore
87, Dr. Nanjappa Road,
Coimbatore - 641 018
Tel. : 0422-2305311
Mobile : 98430-53555
Fax : 0422-2302599
E-mail : coimbatore@bchindia.com

Faridabad
330-331, Om Shubham Tower
Neelam Bata Road, N.I.T.
Faridabad - 121 001 (Haryana)
Mobile : 98180-10700
E-mail : faridabad@bchindia.com

Gurgaon
SF-203, Navkriti Arcade
Block-A, Sushant Lok, Phase-I
Gurgaon - 122 001 (Haryana)
Mobile : 99101-55464
E-mail : gurgaon@bchindia.com

Guwahati
2nd Floor, Maya Ville,
Borthakur Mill Road, Ulubari
Guwahati - 781 0007
Mobile : 09435407024
E-mail : guwahati@bchindia.com

Hospet
940C, Third Cross
Third Ward, Patel Nagar
Station Road,
Hospet-583201
Tel: 09845930782
E-mail: hospet@bchindia.com

Hubli
A-5, Navaniketan Apartments
Ashok Nagar
Hubli (Karnataka)
Tel. : 0836-3090472
Mobile No. 98802-90471
E-mail: hubli@bchindia.com

Hyderabad
210, Prajap Corporate House,
1-10-63&64, Chikoti Garden,
Begumpet, Hyderabad - 500 016
Tel. : 040-66206263/27763325
Mobile : 98493-49240
Fax : 040-66207273
E-mail : hyderabad@bchindia.com

Indore
330-331, Indraprastha Tower,
6, MG Road, Indore - 452 001
Tel. : 0731-2510011
Mobile : 98266-66091
E-mail : indore@bchindia.com

Jaipur
25, Hathroi, Gopalbari,
Jaipur - 302 001
Tel. : 0141-5104521
Mobile : 98290-10813
Fax : 0141-2363521
E-mail : jaipur@bchindia.com

Jamshedpur
3rd Floor, Aastha Trade Centre,
'Q' Road, Bistupur,
Jamshedpur - 831001
Tel. : 0657-6573507
Mobile : 98351-42109
Fax : 0657-2420439
E-mail : jamshedpur@bchindia.com

Kolkata
East India House,
3rd Floor, 20-B, Abdul Hamid
Street, Kolkata - 700 069
Tel. : 033-22138508 / 10
Mobile : 98303-36101
Fax : 033-22138512
E-mail : kolkata@bchindia.com

Lucknow
Madan Plaza, 3rd Floor,
14, Slaton Road, Lucknow
Street, Kolkata - 700 069
Tel. : 0522-4025597/4025997/4025697
Mobile : 98399-12304
E-mail : lucknow@bchindia.com

Ludhiana
S.C.O - 18, IInd Floor,
Feroze Gandhi Market,
Ludhiana - 140 001
Tel. : 0161-5021807
Mobile : 98765-87088
Fax : 0161-2771807
E-mail : ludhiana@bchindia.com

Madurai
E 168/69, Santanam Road
TVS Nagar
Madurai-625003
Tel: 09843133990
E-mail: madurai@bchindia.com

Mumbai
A-151, Mittal Tower,
Nariman Point,
Mumbai - 400 021
Tel. : 022-22822947/22826039
Mobile : 98923-00706
Fax : 022-22822858
E-mail : mumbai@bchindia.com

Nagpur
Block No. 238-B,
Opp. Dharamdas Darbar,
Nr. Choudhary Chowk, Jaripatka,
Nagpur, Maharashtra - 440 014
Mobile : 99701-80877
E-mail : nagpur@bchindia.com

New Delhi
801, Akash Deep,
26A, Barakhamba Road,
New Delhi - 110 001
Tel. : 011-23313878
Mobile : 98102-12502
Fax : 011-23739230
E-mail : delhi@bchindia.com

Pune
8, Sarosh Bhawan,
16-B/1, Dr. Ambedkar Road,
Pune - 411 001
Tel. : 020-26052590
Mobile : 98220-11086
Fax : 020-26135224
E-mail : pune@bchindia.com

Raipur
2nd Floor,
Building No-B- 234,
Indira Gandhi
Vyvasayik Parisar,
Pantni, Raipur - 492 004
Tel. : 0771-4020213
Mobile : 98266-66092
E-mail : raipur@bchindia.com

Surat
601/A, 21st Century Business Centre
Ring Road
Surat - 395 002
Mobile : 91 9825607617
E-mail : surat@bchindia.com

Trichy
Kingston Park,
Second Floor,
19/1, Puttur High Road,
Ramalinga Nagar,
Trichy - 620 003.
Mobile: 99406 76502
Email : trichy@bchindia.com

Vadodara
101, Toran Complex,
Vikas Nagar
Old Padra Road
Vadodara - 390 020.
Tel. : 0265-6548444
E-mail : baroda@bchindia.com

Vishakapatnam
Venu Vaibhavam, 2nd Floor,
Flat No. 201, Palace
Layout, Pedda Waltair,
Vishakapatnam - 530 017
Mobile : 98493-99238
E-mail : vizag@bchindia.com

Western UP & Uttarakhand
8, Cooperative Industrial Estate
Patel Nagar
Dehradun : 248001
Uttarakhand
Mobile : 9760005793
E-mail : dehradun@bchindia.com

Resident Engineers Locations Tel.

| | | | | | | | | | |
|---------------|-------------|-----------|-------------|-------------|-------------|------------|-------------|-----------|-------------|
| Agartala | 94361-28939 | Kolhapur | 98906-26205 | Kota | 98290-14899 | Mangalore | 98457-31944 | Tirupathi | 98661-30930 |
| Haldwani | 99970-12643 | Nashik | 98900-12944 | Navi Mumbai | 98923-00701 | Pondichery | 98942-22033 | Warangal | 98495-51691 |
| Kanpur | 98392-34539 | Salem | 98433-19533 | Silchar | 94354-04033 | Siliguri | 98320-11433 | | |
| Muzaffarnagar | 98970-73741 | Udaipur | 98292-44085 | Vijayawada | 98662-20504 | Bhilai | 98266-12907 | | |
| Renukoot | 98399-55117 | Bhopal | 98266-66093 | Baddi | 93187-78975 | Gwalior | 98268-03658 | | |
| Ambala | 93541-18839 | Ghaziabad | 98107-44937 | Gorakhpur | 98392-24988 | Jodhpur | 98292-18618 | | |
| Durgapur | 97320-03364 | Jabalpur | 98268-03656 | Jalandhar | 98763-47188 | Rajkot | 98256-04709 | | |

Since product improvement is a continuous process, the data furnished in this brochure may undergo revision without prior notice.