



Safe

The PS-16 & PS-32 range of Plugs and Sockets provides additional safety such as:

Self locking design :

Ensuring complete safety as plug cannot be withdrawn from socket accidentally.

Auto closing cover :

The socket has a protective cover, which ensures complete protection when plug is not inserted.

Strong

The unique rugged design of the PS-series Plugs and Sockets is due to a special contact system which ensures:

Low temperature rise :

Perfect contact ensures positive interlocking and eliminate burning and heating of contacts.

Constant contact pressure :

Spring loaded contact ensures constant pressure through out the life. So no chance of sparking, flash overs as seen in other conventional Plugs and Sockets.

Long life :

Silver-Nickel contact eliminates chances of welding and provides a long lasting life.

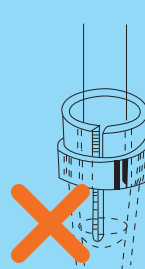
Smart

Elegance and aesthetics make the PS-series Plugs & Sockets ideal for all lifestyles in domestic, commercial and industrial areas.

Ideal for Switching

- Air Conditioners
- Chillers
- Geysers
- and varied Commercial & Industrial Loads

Pin and sleeve contact

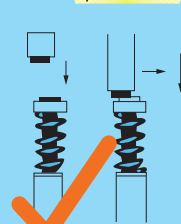


Conventional type

- Poor fit between plugs and sockets.
- High temperature rise.
- Copper / Brass contacts.
- High contact resistance.



Sparkless contacts



Butt type contact

- Self aligning, self wiping & spring loaded contacts.
- Extremely low temperature rise.
- Silver - Nickel contacts.
- Low contact resistance.



PLUGS & SOCKETS (PS-Type)

PS SERIES Sparkless contacts



Switchgear & Control Gear

Automation

Enclosures

Electric Motors

Wires & Cables

Reactive Power Management

Brakes and Crane Control

Custom Build Products

a strong commitment to serve better always ...



BCH ELECTRIC LIMITED

Visit us at : www.bchindia.com

Corporate Office : 1105, New Delhi House, 27, Barakhamba Road, New Delhi-110 001 Tel. : 91-11-23316029/3610/6539/43673100 Fax : 91-11-23715247 E-mail : marketing@bchindia.com

Registered Office : Block 1E, 216, Acharya Jagadish Chandra Bose Road, Kolkata - 700 017

Works 1 : 20/4, Mathura Road, Faridabad -121 006 (Haryana) Tel. : 0129-4063000/4293000 Fax : 0129-2304016

Works 2 : 64-68, Sector-7, IIE, Pant Nagar, Rudrapur, Udham Singh Nagar - 263 153 (Uttarakhand) Tel. : 05944-250214/16 Fax : 05944-250215

Sales Offices :

Ahmedabad
93, City Centre,
Near Swastik Char Rasta,
C.G. Road, Navrangpura,
Ahmedabad- 380 009
Tel. : 079-26565719/40074482
Fax : 079-26565719
E-mail : ahmedabad@bchindia.com

Bangalore
B.M.H. Complex, 2nd Floor,
No. 22, Kongal Hanumanthiah Road,
Bangalore - 560 027
Tel. : 080-22273478/41144878/41144879
Fax : 080-22236759
E-mail : bangalore@bchindia.com

Chandigarh
SCO 121-22-23, 1st Floor,
Sector 34-A, Chandigarh - 160 022
Tel. : 0172-5078957/266122
Fax : 0172-5049905
E-mail : chandigarh@bchindia.com

Chennai
Flat No. 3A, 3rd Floor,
Sree Apartments,
No.508, TTK Road,
Alwarpet, Chennai 600 018
Tel. : 044-24337046, 24337047
Fax : 044-24337047
E-mail : chennai@bchindia.com

Coimbatore
204, Mathura Road,
Faridabad - 121 006 (Haryana)
Tel. : 0422-2305311
Fax : 0422-2302599
E-mail : coimbatore@bchindia.com

Faridabad
204, Mathura Road,
Faridabad - 121 006 (Haryana)
Tel. : 0129-2304016
Fax : 0129-2304016
E-mail : faridabad@bchindia.com

Hyderabad
12-30348/13/102, Anya One,
2nd Floor, P. G. Road,
Secunderabad - 500 003
Tel. : 040-66206263/27890306
Fax : 040-66207273
E-mail : hyderabad@bchindia.com

Indore
330-331, Indraprastha Tower,
3rd Floor, 6, M.G. Road,
Indore - 452 001
Tel. : 0731-2510011
Fax : 0731-2510012
E-mail : indore@bchindia.com

Jaipur
25, Hetroli, Gopalbari,
Jaipur - 302 001
Tel. : 0141-5104521
Fax : 0141-2363521
E-mail : jaipur@bchindia.com

Jamshedpur
3rd Floor, Aastha Trade Centre,
'Q' Road, Bistupur,
Jamshedpur - 831 001
Tel. : 0657-2756171/2756157
Fax : 033-22138511
E-mail : jamshedpur@bchindia.com

Kolkata
East India House, 3rd Floor,
14, Station Road,
Kolkata - 700 069
Tel. : 033-22138508-12
Fax : 033-22138511
E-mail : kolkata@bchindia.com

Lucknow
Madan Plaza, 3rd Floor,
14, Station Road,
Lucknow - 226 001
Tel. : 0522-4025597/4025997
Fax : 0522-4025697
E-mail : lucknow@bchindia.com

Ludhiana
S.C.O- 18, 2nd Floor,
Feroze Gandhi Market,
Ludhiana - 140 001
Tel. : 0161-5021807/5022808
Fax : 0161-5021807
E-mail : ludhiana@bchindia.com

Mumbai
A-151, Mittal Tower,
Nariman Point,
Mumbai - 400 021
Tel. : 022-22822947/22826039
Fax : 022-22822956
E-mail : mumbai@bchindia.com

Nagpur
3rd Floor, "Paradise Plaza",
Kadbi Chowk,
Nagpur - 440 004
Tel. : 0712-2041518
Telefax : 0712-2041670
E-mail : nagpur@bchindia.com

New Delhi
801, Akash Deep Building,
26A, Barakhamba Road,
New Delhi - 110 001
Tel. : 011-23313878/66307065
Fax : 011-23139230
E-mail : delhi@bchindia.com

Pune
8, Sarosh Bhavan,
16-B/1, Dr. Ambedkar Road,
Pune - 411 001
Tel. : 020-26052590
Telefax : 020-26135224
E-mail : pune@bchindia.com

Rajpur
2nd Floor, Building No. B-234,
Indira Gandhi Vyasasayik Parisar,
Pandri, Rajpur - 492 004
Tel. : 0771-4020213
Fax : 0771-2592980
E-mail : rajpur@bchindia.com

Surat
601A,
21st Century Business Centre,
Ring Road, Surat - 395 002
Tel. : 0261-2331840
Fax : 0261-2331841
E-mail : surat@bchindia.com

Trichy
Kingslone Park, 2nd Floor,
19/1, Puthur High Road,
Ramalinga Nagar,
Trichy - 620 017
Tel. : 0431-4040497
E-mail : trichy@bchindia.com

Vadodara
301, Third Floor, "Florence Classic",
10, Ashapuri Co-Op. Hsg. Soc. Ltd., Opp. VUDA Housing,
Near Cow Circle, Akota, Vadodara - 390 020
Tel. : +91-265-6548444/2345068/2345069
Telefax : 0265-2345068
E-mail : vadodara@bchindia.com

Other Branch Locations

Bhubaneswar : bhubaneswar@bchindia.com, **Cochin :** cochin@bchindia.com, **Dehradun :** dehradun@bchindia.com, **Gurgaon :** gurgaon@bchindia.com, **Guwahati :** guwahati@bchindia.com, **Hospet :** hospet@bchindia.com, **Hubli :** hubli@bchindia.com, **Madurai :** madurai@bchindia.com, **Vishakhapatnam :** vizag@bchindia.com

Resident Engineer Locations

Baddi	Gurgaon	Madurai	Salem
Bardhaman	Haridwar	Muzaffarnagar	Udaipur
Bhilai	Hubli	Nashik	Vapi
Bhubaneswar	Hospet	Patna	Vishakhapatnam
Cochin	Jodhpur	Puducherry	Warangal
Dehradun	Kakinada	Rajkot	
Durgapur	Kota	Rajahmundry	

Since product improvement is a continuous process, the data furnished in this brochure may undergo revision without prior notice.



BCH ELECTRIC LIMITED



Plugs & Sockets

Reach beyond the conventional

BCH dedicated to the manufacture of Low Voltage Electrical & Electronic equipments and devices is a most trusted brand for over four decades. The PS Series Plugs & Sockets for your homes, offices and industry at large is designed to provide exceptional performance, security, aesthetics and most of all peace of mind.



PS Plugs & Sockets

PS-16 Range

Rated for 20 Amp at 500 Volts, the PS-16 Plugs & Sockets combine simplicity, convenience & reliability. It conforms to IEC 60309, with IP44 protection and has been conferred with a CE certification which proves that it surpasses many stringent standards.

Plugs & Sockets (PS16) : 20 Amperes

- IP 44 Protection
- Conforms to IEC-60309

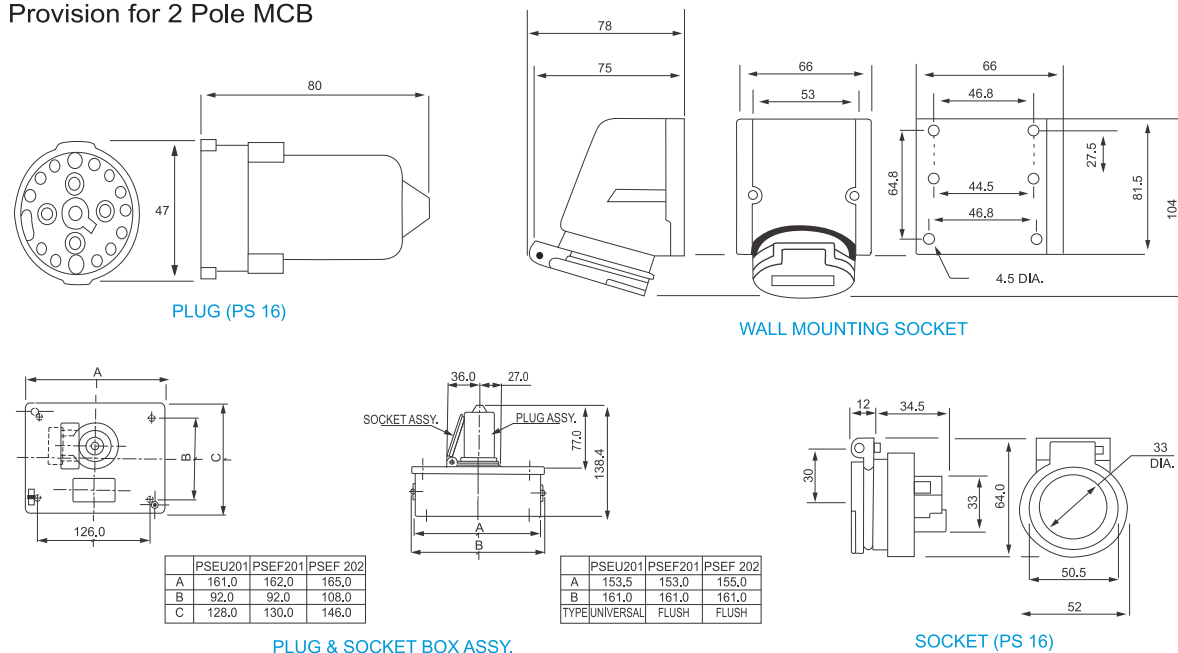
Plugs	:	3P + E, 415 VAC	Sockets	:	Flush Mounting 415 VAC
	:	2P + E, 250 VAC		:	Flush Mounting 250 VAC
				:	Socket with wall mounting Box

Plugs & Sockets Distribution Board (PSE) : 20 Amperes, 3 Pin

- Universal & Flush mounted
- 7 tank processed, powder coated box for excellent aesthetics and long life.

SELECTION TABLE (PS-16)		
Description	Pins	Cat No.
Plug - 415 VAC	3P + E	PS16AA1
Plug - 250 VAC	2P + E	PS16AA7
Socket - Flush	3P + E	PS16BA1
- 415 VAC		
Socket - Flush	2P + E	PS16BA7
- 250 VAC		
Socket with Wall Mounting Box (415 VAC)	3P + E	PS16DA1
Socket with Wall Mounting Box (250 VAC)	2P + E	PS16DA7
20A Plug and Socket Box universal Mounting*	2P + E	PSEU201
20A Plug and Socket Box Flush Mounting*	2P + E	PSEF201
20A Plug and Socket Box Flush Mounting**	2P + E	PSEF202

- * Provision for 1 Pole MCB
- ** Provision for 2 Pole MCB



*All Dimensions in mm



PS Plugs & Sockets

PS-32 Range

Rated for 32 Amp at 500 Volts, the new PS-32 Plugs & Sockets combine simplicity, convenience & reliability. It conforms to latest standard IEC 60309, with IP54 protection. It is ideal for connecting single phase and 3 phase loads to take care of all domestic, commercial and industrial applications.

Plugs & Sockets : 32 Amperes

- IP 54 Protection
- Conforms to IEC-60309

Plugs	:	1P + E + N (3 Pin)	Sockets	:	1P + E + N (3 Pin)
(inclined handle)	:	3P + E (4 Pin)	(panel mounting)	:	3P + E (4 Pin)

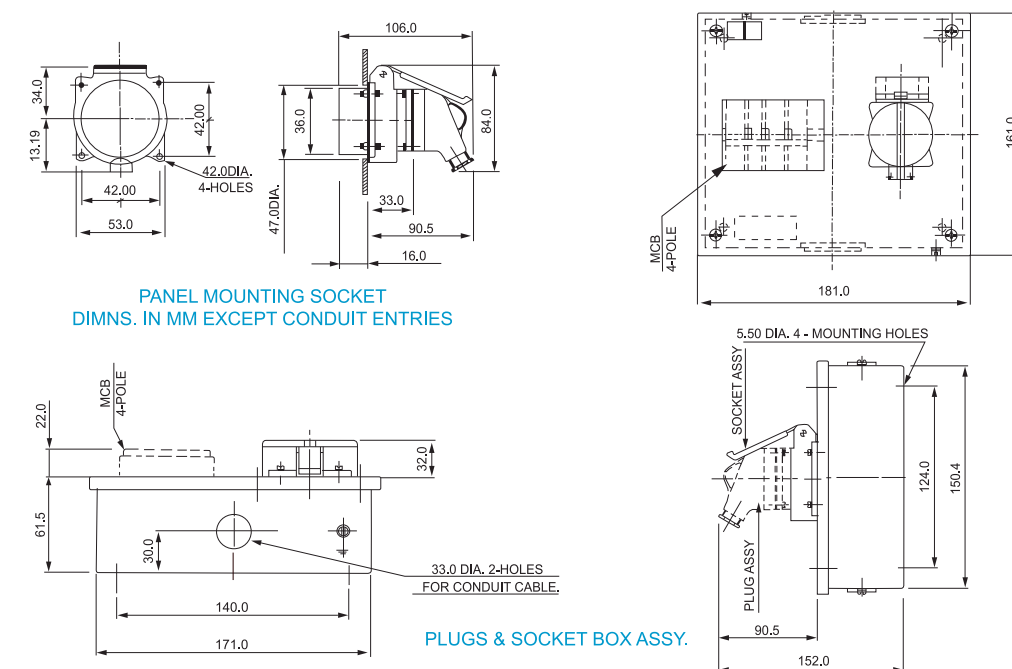
Plugs & Sockets Distribution Board (PSE) : 32 Amperes, 4 Pin (3P + E)

- 7 tank processed, powder coated box for excellent aesthetics and long life.
- Universal and flush mounted.
- 4 Pole cutout.

SELECTION TABLE (PS-32)		
Description	Pins	Cat No.
32A, 4 PIN, Plug	3P + E	PS32AA1
32A, 4 PIN, Socket	3P + E	PS32BA1
32A, 3 PIN, Plug	1P + E + N	PS32AA7
32A, 3 PIN, Socket	1P + E + N	PS32BA7
32A, 5 PIN, Plug	3P + N + E	PS32AA5
32A, 5 PIN, Socket	3P + N + E	PS32BA5
32A, P&S Box-Universal	3P + E*	PSEU324
32A, P&S Box-Flush	3P + E*	PSEF324
32A, Plug & Socket Box-Universal	3P + N + E	PSEU325

- * 4 Pole cutout to accommodate 4P/TPN MCB or 4P RCCB

Note : 2 P+E version in PS32 Plugs & Sockets available on request



*All Dimensions in mm