



HEAVY DUTY GENERAL PURPOSE LIMIT SWITCH

BCH Heavy Duty General Purpose Limit Switches are designed for remote control of automatic starters, contactors, etc for both AC & DC supply. These limit switches are suitable for AC15 & DC13 duties as per IS/IEC 60947-5. Every limit switch that comes off the BCH assembly line passes through rigid quality tests before it reaches you.

Standards - IS / IEC - 60947-5

CE marked

Ambient Temperature - (-5 to + 40 deg. C)

Material - Aluminium Die-Cast

IP Category - IP54

Mechanical Durability - 20 x 10⁶ operations

Frequency of Operations - 2500 operations per hour

Dimensions

Rated impulse withstand voltage	2.5kV
Short circuit protection HRC fuse	10A
Contacts type	1 NO + 1 NC
Terminal Capacity	2.5 mm ² solid or stranded
Earthing connection specifications	M4 Earthing Screw
Cable entry	3/4" DIA (3 nos. Conduit entries)

Electrical and Mechanical Rating

Utilization Category	AC 15 & DC 13 as per IS/IEC 60947-5
[I _{th}] Conventional enclosed thermal current	10A
[U _i] Rated insulation voltage	600 VAC

Description

(1NO + 1NC)
SCREW TERMINAL

Cat Codes:

Angular Roller	LLGS
Top Plunger	LPGS
Spare Limit Switch Assembly (1NO+1NC)	SP40S1WOM
Spare Operating Head (For LLGS)	SP40HLG

Operational Current & Voltage

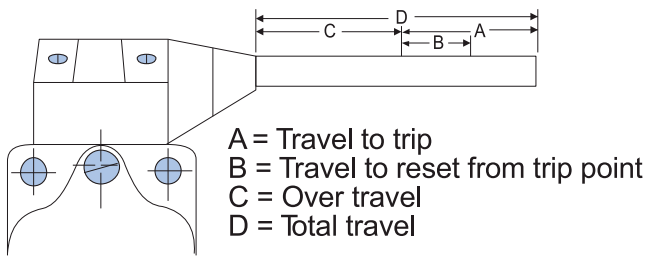
AC 15 rating

Voltage	1 NO + 1 NC
110V	6.0A
220V	3.0A
440V	1.5A
550V	1.2A

DC 13 rating

Voltage	1 NO + 1 NC
24V	1.0A
60V	0.5A
110V	0.2A
220V	0.1A

Linear Motion

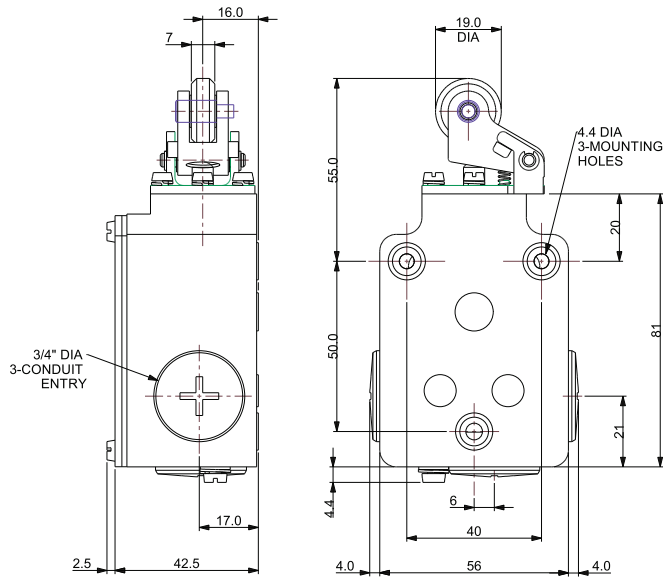


Operating Data

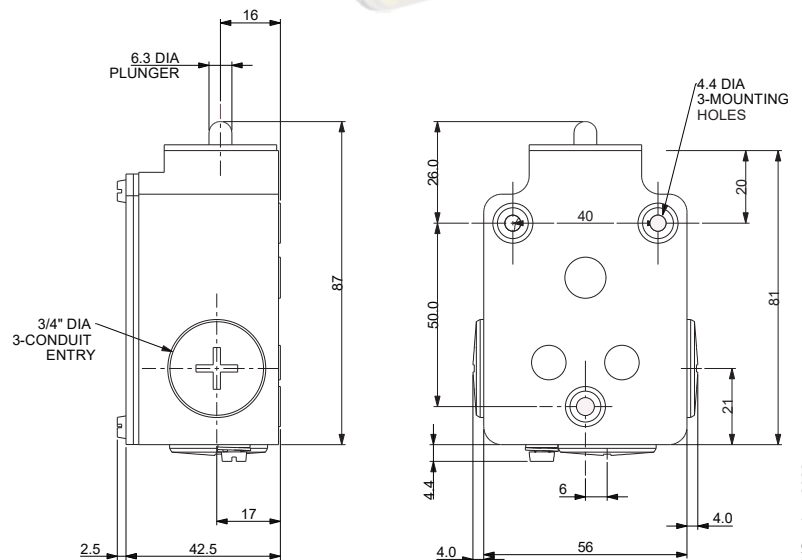
	LLGS	LPGS
Travel to Trip A	4.5	3.5
Travel to reset from trip point B	2.5*	2.0*
Over Travel C	2.5*	1*
Total Travel D	7*	4.5
Force to Trip (max.) Kg.	1.5	1.5
Force to be applied at a radius of (mm)		

* Max.

Dimensions



LLGS



LPGS

Please scan QR code to see complete offering



**BCH
ELECTRIC
LIMITED**

Corporate Office : 1105, New Delhi House, 27, Barakhamba Road, New Delhi - 110 001 Tel. : 91-11-43673100

E-mail : marketing@bchindia.com, Toll Free No.:1800-103-9262 • www.bchindia.com CIN:U311013WB1965PLC026427

Registered Office : Block 1E, 216, Acharya Jagadish Chandra Bose Road, Kolkata - 700 017

Works 1 : 20/4, Mathura Road, Faridabad - 121 006 (Haryana) Tel. : 0129-4063000/4293000 Fax : 0129-2304024

Works 2 : 64-68, Sector-7, IIE, Pant Nagar, Rudrapur, Udham Singh Nagar - 263 153 (Uttarakhand) Tel. : 05944-250214/16 Fax : 05944-250215

Since product improvement is a continuous process, the data furnished in this brochure may undergo revision without prior notice