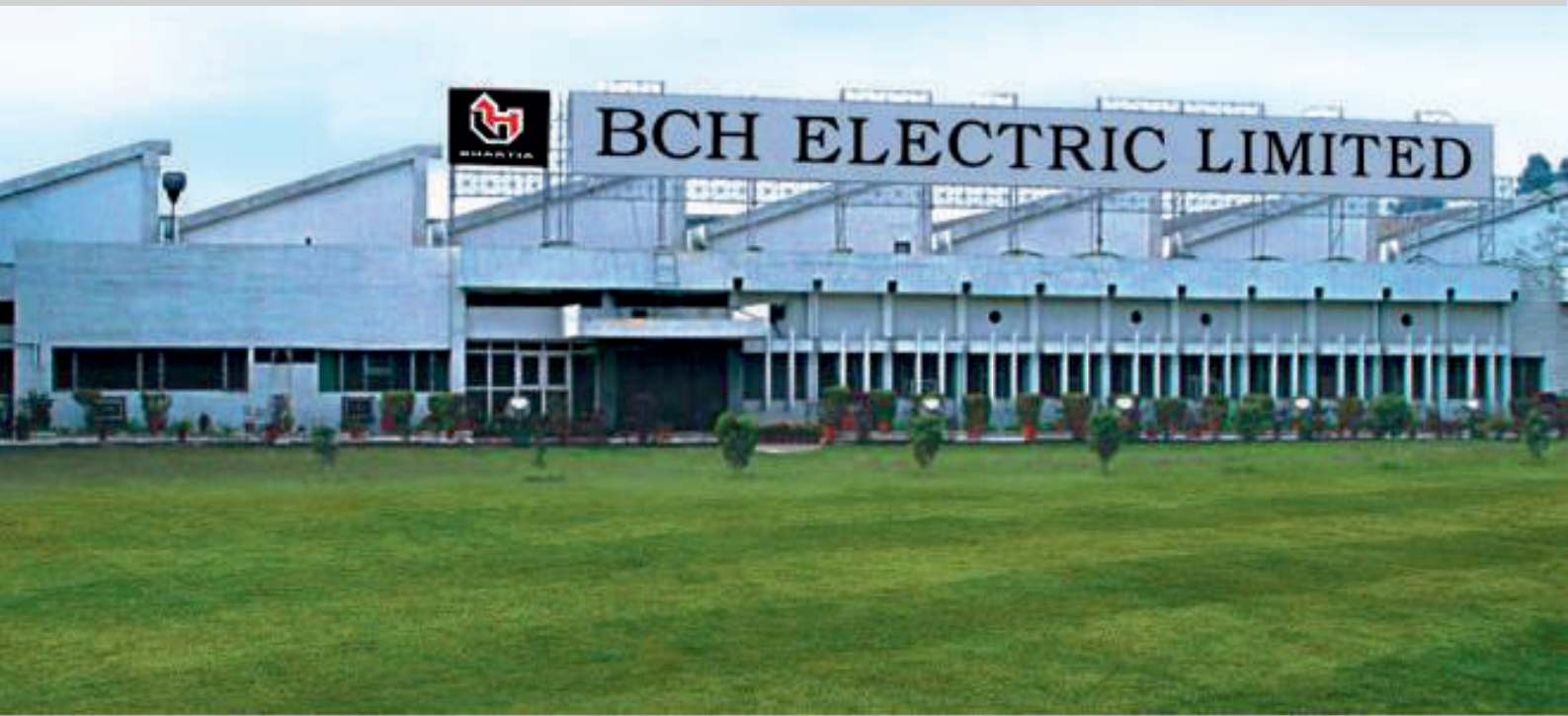


BHARTIA ENCLOSURE 2.0

TERMINAL BOX 2.0



BCH
ELECTRIC
LIMITED



BCH Electric Limited an ISO 9001:2015 & ISO 14001:2015, ISO 45001: 2018 company, is today one of the leading manufacturer of wide range of Industrial, IT Enclosures. It is wholly owned Indian company with a wide network of global business connections.

The company's strong focus on customer satisfaction is reflected in its wide product range, catering to the requirement of customers in the electric field. This includes Automation, Switchgears, Enclosures, Break and Crane control Products.

A strong Design & development team, state-of-the art manufacturing capabilities and strong emphasis on quality has helped the company achieve benchmarks for its products & services.

BCH Electric, as always, remains committed to customer satisfaction and loyalty and will continue to broaden its portfolio with more service and product to further strengthen its partnership with customers.

Our products have proven track of performance for critical applications in almost every customer segment - Steel, Power, Cement, Solar, Telecom, Railways, Mining, Oil & gas, Chemical, Sugar, water utilities, Automobiles, Agriculture, Crane & machinery OEMs etc.




IP66/IP55-IK10

BHARTIA ENCLOSURE 2.0



Bhartia Enclosure 2.0 range provides a versatile solution for modern hi tech industrial applications, Being robust, compact & flexible, the product range offers utmost safety.

Bhartia Enclosure 2.0 offers IP66-IK10 protection for single door enclosure and IP55-IK10 protection for double door enclosure, is available with different sizes.

Technical highlights:

- **Available in IP 66 /IP55-IK10 Protection**
- **Range:**
(W X H X D in mm): 200x300x120 through 1200x1400x400
- **Raw Material used:**
CRCA for Enclosure Body, Door and Bottom Gland plate
Galvanized steel for mounting plate
- **Surface Finishing:**
Powder coating RAL-7035 Structure finish Enclosure +
Electro galvanized Mounting plate
- **Enclosure Sealing:**
PU Foam gasket for superior Ingress of protection
- **Supply Include Enclosure:**
Main body
Hinged Door
Gland plate
Mounting Plate
- Wall mounting bracket set [4 brackets with fixing hardware] available as optional accessories for all variants
- Door interchangeability to LHS/RHS for all variants
- Customized solution ensure ability to meet special requirement like non-standard size, Color shade, Door configuration and locking arrangement



 IP66/IP55-IK10



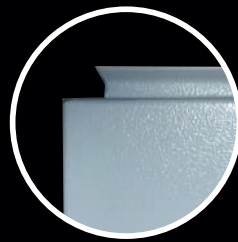
Die Casted Cam lock



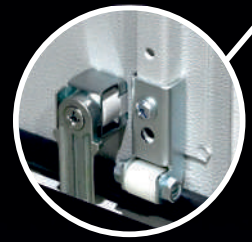
M6 Earthing



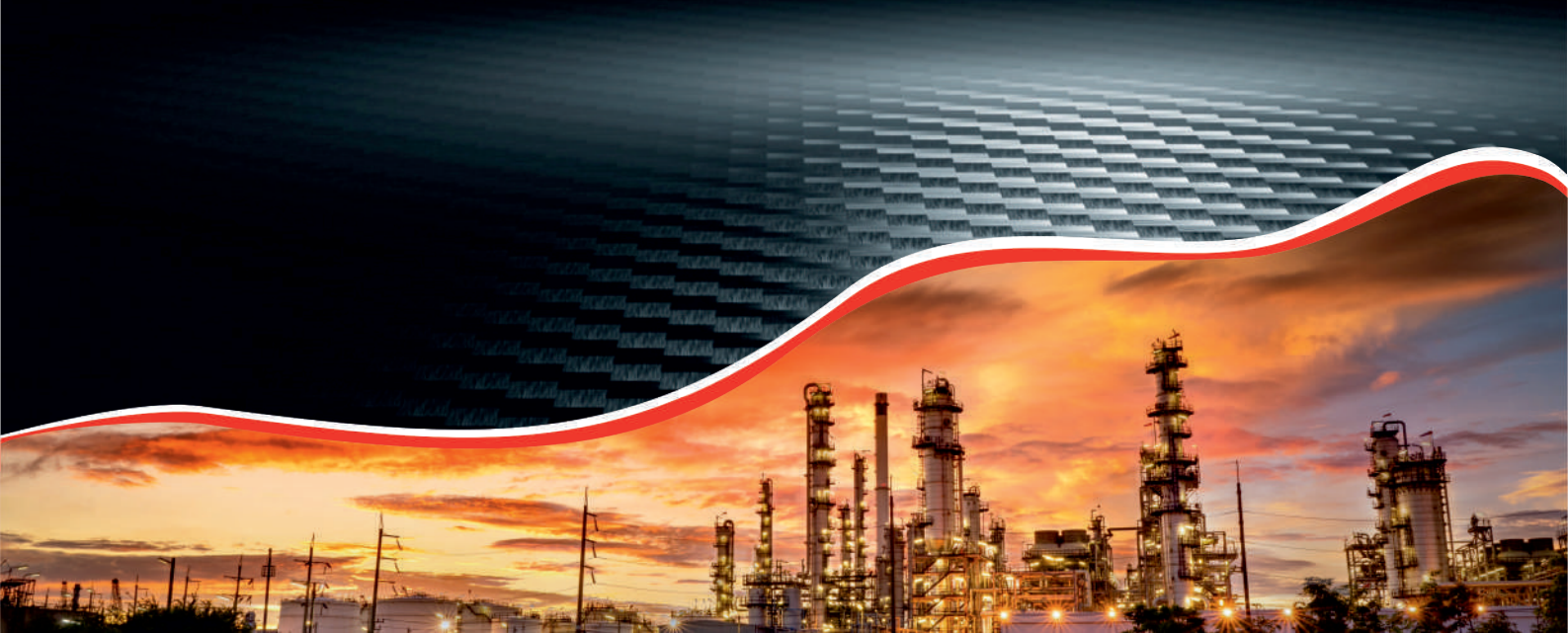
Large cable entry



Rain Channel Profile



Door Balancing

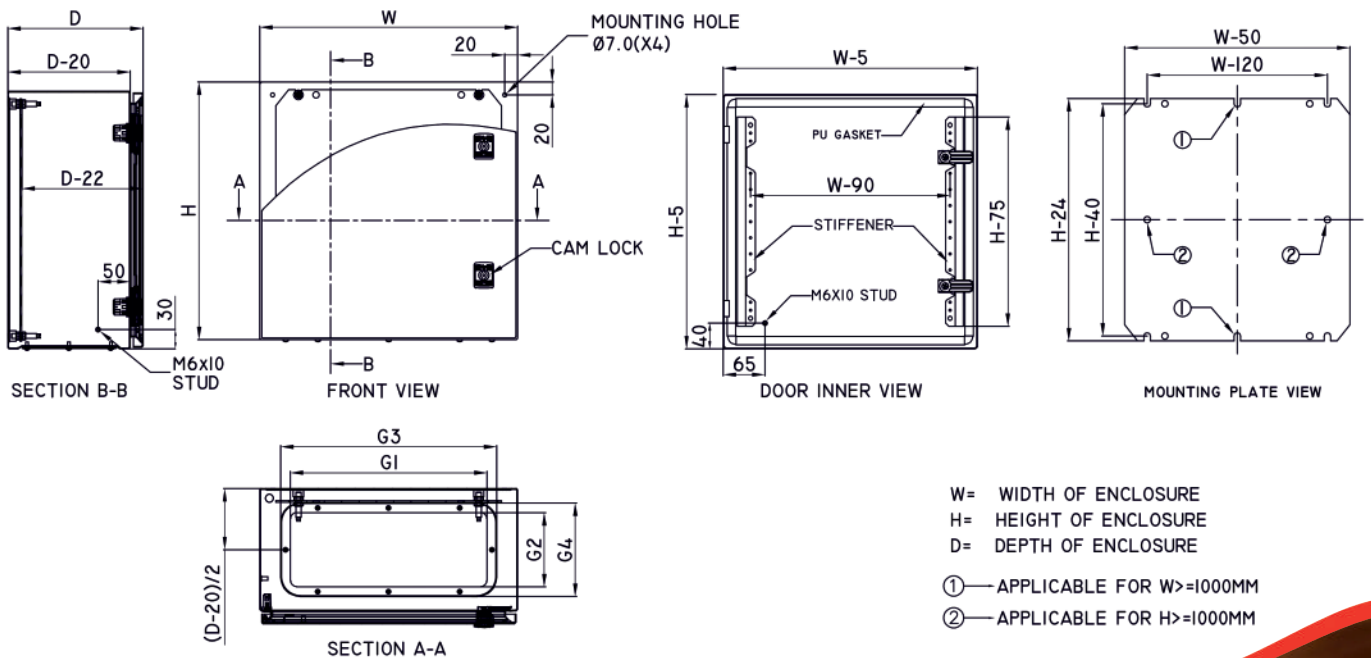


IP66-IK10

Single Door Bhartia Enclosure 2.0



Dimensional Detail



Cat Code	Size of Enclosure (mm)			Material Thickness (mm)				No of Lock	No of Gland Plate	Gland Plate opening (mm)		Size of Gland Plate (mm)	
	W	H	D	Body	Door	Gland Plate	Mounting Plate			G1	G2	G3	G4
BIL-40000	200	300	120	1.2	1.2	1.6	2.0	1	1	111	26	139	48
BIL-40010	200	300	150	1.2	1.2	1.6	2.0	1	1	111	26	139	48
BIL-40020	250	300	150	1.2	1.2	1.6	2.0	1	1	111	26	139	48
BIL-40030	300	300	150	1.2	1.2	1.6	2.0	1	1	196	68	216	86
BIL-40040	300	300	210	1.2	1.2	1.6	2.0	1	1	196	68	216	86
BIL-40050	300	400	150	1.2	1.2	1.6	2.0	2	1	196	68	216	86
BIL-40060	300	400	210	1.2	1.2	1.6	2.0	2	1	196	68	216	86
BIL-40070	400	300	150	1.2	1.2	1.6	2.0	1	1	196	68	216	86
BIL-40080	400	300	210	1.2	1.2	1.6	2.0	1	1	305	115	335	145
BIL-40090	400	400	150	1.2	1.2	1.6	2.0	2	1	196	68	216	86
BIL-40100	400	400	210	1.2	1.2	1.6	2.0	2	1	305	115	335	145
BIL-40110	400	500	150	1.2	1.2	1.6	2.0	2	1	196	68	216	86
BIL-40120	400	500	210	1.2	1.2	1.6	2.0	2	1	305	115	335	145
BIL-40140	400	600	210	1.2	1.6	1.6	2.0	2	1	305	115	335	145
BIL-40150	400	600	350	1.6	1.6	1.6	2.0	2	1	305	115	335	145
BIL-40160	500	500	210	1.6	1.6	1.6	2.0	2	1	305	115	335	145
BIL-40170	500	500	300	1.6	1.6	1.6	2.0	2	1	305	115	335	145
BIL-40180	500	600	210	1.6	1.6	1.6	2.0	2	1	305	115	335	145
BIL-40190	500	700	210	1.6	1.6	1.6	2.0	2	1	305	115	335	145
BIL-40200	500	700	300	1.6	1.6	1.6	2.0	2	1	305	115	335	145
BIL-40210	600	400	210	1.6	1.6	1.6	2.0	2	1	505	115	535	145
BIL-40220	600	400	300	1.6	1.6	1.6	2.0	2	1	505	115	535	145
BIL-40230	600	600	210	1.6	1.6	1.6	2.0	2	1	505	115	535	145
BIL-40240	600	600	300	1.6	1.6	1.6	2.0	2	1	505	115	535	145
BIL-40250	600	600	350	1.6	1.6	1.6	2.0	2	1	505	115	535	145
BIL-40260	600	800	210	1.6	2	1.6	2.5	2	1	505	115	535	145
BIL-40270	600	800	250	1.6	2	1.6	2.5	2	1	505	115	535	145
BIL-40280	600	800	300	1.6	2	1.6	2.5	2	1	505	115	535	145
BIL-40290	600	1000	210	1.6	2	1.6	2.5	3	1	505	115	535	145
BIL-40300	600	1000	300	1.6	2	1.6	2.5	3	1	505	115	535	145
BIL-40310	600	1200	300	1.6	2	1.6	2.5	1*	1	505	115	535	145
BIL-40320	800	600	300	1.6	2	1.6	2.5	2	1	505	115	535	145
BIL-40330	800	800	210	1.6	2	1.6	2.5	2	1	505	115	535	145
BIL-40340	800	800	300	1.6	2	1.6	2.5	2	1	505	115	535	145
BIL-40350	800	1000	250	1.6	2	1.6	2.5	3	1	505	115	535	145
BIL-40360	800	1000	300	1.6	2	1.6	2.5	3	1	505	115	535	145
BIL-40370	800	1200	300	1.6	2	1.6	2.5	1*	1	505	115	535	145

1* = 3 - Point Lock

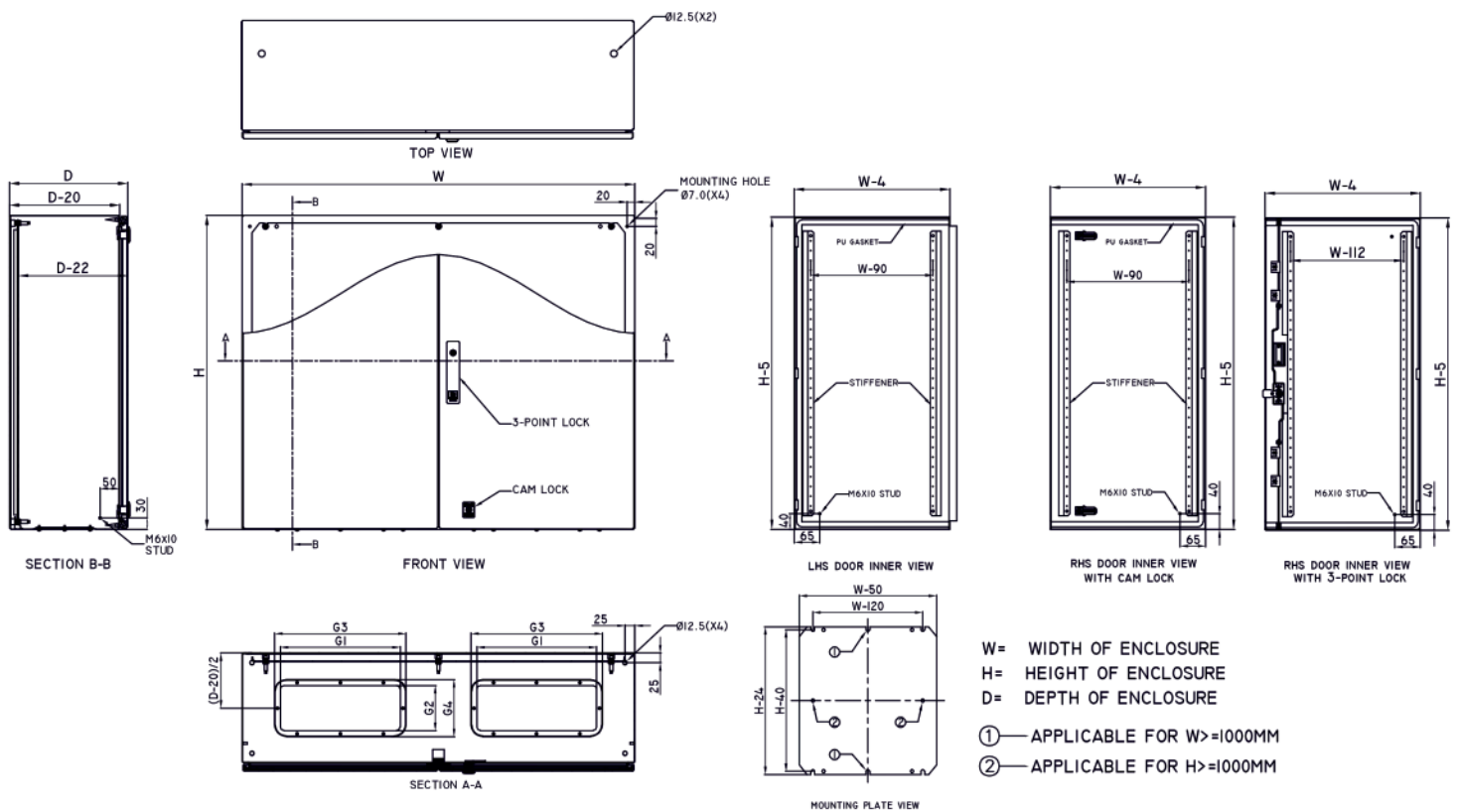


Double door Bhartia Enclosure

IP55-IK10



Dimensional Detail

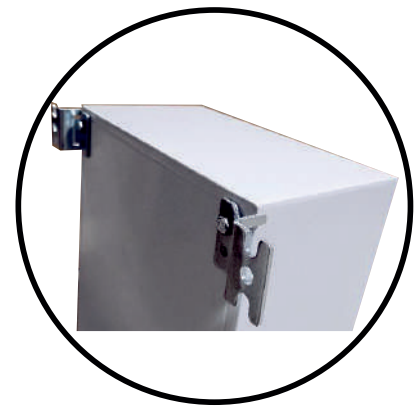


Cat Code	Size of Enclosure (mm)			Material Thickness (mm)				No of Lock	No of Gland Plate	Gland Plate opening (mm)		Size of Gland Plate (mm)	
	W	H	D	Body	Door	Gland Plate	Mounting Plate			G1	G2	G3	G4
BIL-40380	1000	800	210	1.6	2	1.6	2.5	2	2	305	115	335	145
BIL-40390	1000	800	300	1.6	2	1.6	2.5	2	2	305	115	335	145
BIL-40400	1000	1000	300	1.6	2	1.6	2.5	2	2	305	115	335	145
BIL 40410	1000	1200	300	1.6	2	1.6	2.5	1*	2	305	115	335	145
BIL 40420	1000	1400	300	1.6	2	1.6	2.5	1*	2	305	115	335	145
BIL-40430	1000	1400	400	1.6	2	1.6	2.5	1*	2	305	115	335	145
BIL 40440	1200	1400	300	1.6	2	1.6	2.5	1*	2	305	115	335	145
BIL-40450	1200	1400	400	1.6	2	1.6	2.5	1*	2	305	115	335	145

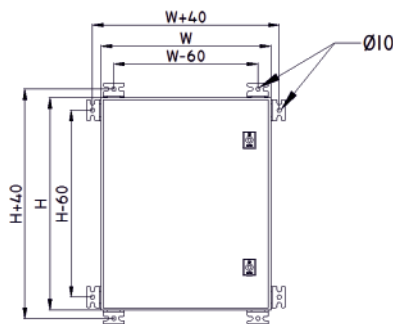
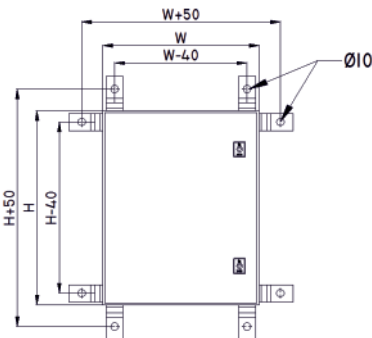
1* = 3 - Point Lock

Wall Mounting Kit

Cat CODE	Description
BIL-WM-S	Set of Wall mounting bracket (small)
BIL-WM-B	Set of Wall mounting bracket (big)
BIL-WM-H20	Set of wall mounting bracket kit 20mm



Mounting Details



BIL-WM- S
BIL-WM- B

BIL-WM-H20

W: - Width of enclosure
H: - Height of enclosure



 **IP66-IK10**

Terminal Box-2.0



Technical highlights:

- **Available in IP 66 -IK10 Protection**
- **Range:**
(W X H X D in mm): 150x150x80 through 600x400x120
- **Raw Material used:**
CRCA for Enclosure Body and Door
Surface Finishing:
Powder coating RAL-7035 Structure finish Enclosure
- **Enclosure Sealing:**
PU Foam gasket for superior Ingress of protection
- **Supply Include Enclosure:**
Main body
Door
- Holes with rubber grommet at top and bottom of enclosure body to facilitate cable entry
- Provision of din rail fixing in horizontal position on predrilled bracket
- Door removable type with quick release fasteners

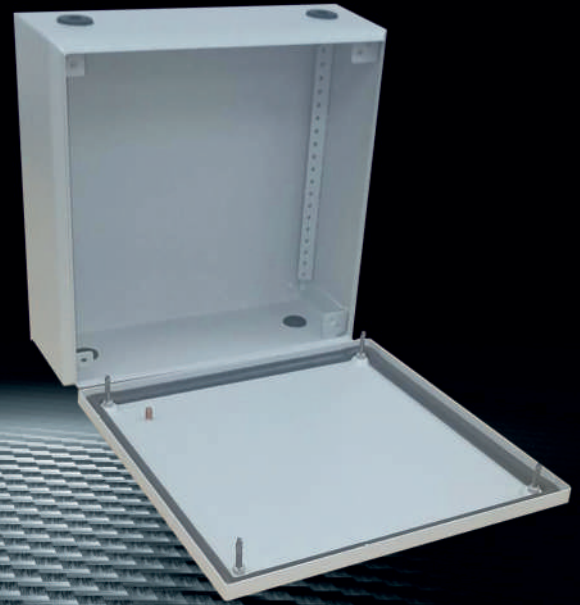


**Quarter Turn Fastener
For Quick Door Assembly**

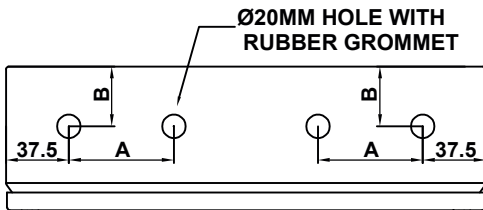


 IP66-IK10

Terminal Box-2.0

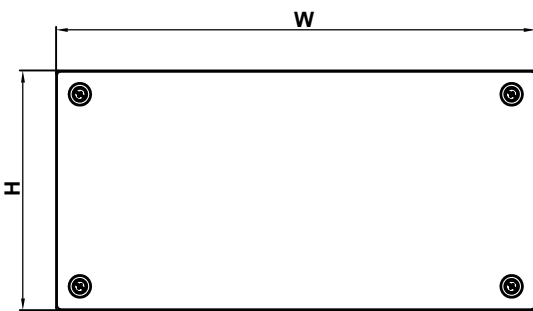


Dimensional Detail

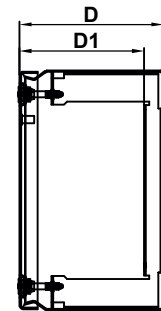


TOP-VIEW

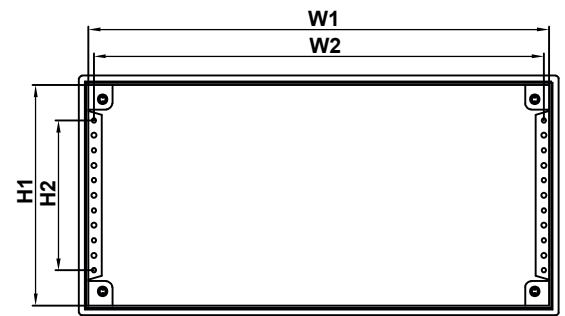
W= WIDTH OF ENCLOSURE
H= HEIGHT OF ENCLOSURE
D= DEPTH OF ENCLOSURE



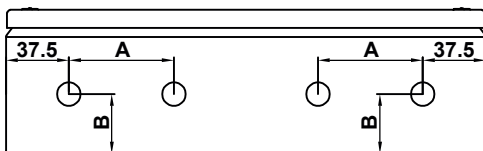
FRONT-VIEW



SECTIONAL-VIEW



FRONT-VIEW W/O COVER



BOTTOM-VIEW



Cat Code	Size of Enclosure (mm)			Working Space (mm)			Mounting Detail (mm)		Other Dimension (mm)	
	W	H	D	W1	H1	D1	W2	H2	A	B
BIL-30000	150	150	80	132	132	64	125	75	NA	29
BIL-30010	200	150	80	182	132	64	175	75	NA	29
BIL-30020	300	150	80	282	132	64	275	75	NA	29
BIL-30030	200	200	80	182	182	64	175	125	NA	29
BIL-30040	300	200	80	282	182	64	275	125	NA	29
BIL-30050	400	200	80	382	182	64	375	125	NA	29
BIL-30060	600	200	80	582	182	64	575	125	165	29
BIL-30070	150	150	120	132	132	104	125	75	NA	49
BIL-30080	200	150	120	182	132	104	175	75	NA	49
BIL-30090	300	150	120	282	132	104	275	75	NA	49
BIL-30100	400	150	120	382	132	104	375	75	NA	49
BIL-30110	200	200	120	182	182	104	175	125	NA	49
BIL-30120	300	200	120	282	182	104	275	125	NA	49
BIL-30130	400	200	120	382	182	104	375	125	NA	49
BIL-30140	500	200	120	482	182	104	475	125	NA	49
BIL-30150	600	200	120	582	182	104	575	125	165	49
BIL-30160	300	300	120	282	282	104	275	225	NA	49
BIL-30170	400	300	120	382	282	104	375	225	NA	49
BIL-30180	500	300	120	482	282	104	475	225	NA	49
BIL-30190	600	300	120	582	282	104	575	225	165	49
BIL-30200	400	400	120	382	382	104	375	325	NA	49
BIL-30210	600	400	120	582	382	104	575	325	165	49



Power Control Products

Starters & Submersible Pump Starters

Industrial Enclosures

Industrial Products

Wires & Cables

Motor Control Products

Power Bus Duct

Customised Solution

Automation

a strong commitment to serve better always ...



BCH ELECTRIC LIMITED



www.bchindia.com



1800-103-9262

customer@bchindia.com

Visit us at : www.bchindia.com

Registered & Corporate Office : 1105, New Delhi House, 27, Barakhamba Road, New Delhi - 110 001 Tel. : 91-11- 43673100

CIN : U31103DL1965PLC425953, **Customercare No.** 1800-103-9262, **E-mail :** marketing@bchindia.com

Works 1 : 20/4, Mathura Road, Faridabad - 121 006 (Haryana) Tel. : 0129-4063000/4293000 Fax : 0129-2304016

Works 2 : 64-68, Sector-7, IIE, Pant Nagar, Rudrapur, Udham Singh Nagar - 263 153 (Uttarakhand) Tel. : 05944-250214/16 Fax : 05944-250215

Sales Offices :

Ahmedabad
401, Shilp Zeveri,
Beside Shyamal Iconic,
Above Westside,
Shyamal Cross Road,
Ahmedabad - 380015
E-mail : ahmedabad@bchindia.com

Bangalore
2nd Floor, 130/5,
K.H. Road (Double road),
Bangalore - 560 027
Tel. : 080-41144879 / 22236759
E-mail : bangalore@bchindia.com

Bhubaneswar
Mallick Commercial
Complex Plot No.: A/69, unit - 3
Bhubaneswar - 751 001
Tel. : 0674-2380988
E-mail : bhubaneswar@bchindia.com

Chandigarh (Panchkula) SCO -
270, 2nd Floor,
Sector-16, Panchkula
Haryana-134 113
Tel. : 0172-5078957 / 5049905 E-
mail : chandigarh@bchindia.com

Chennai
Flat No. 3A, 3rd Floor,
Sree Apartments,
No.508, TTK Road,
Alwarpet, Chennai 600 018
Tel. : 044-24337046, 24337047
E-mail : chennai@bchindia.com

Coimbatore
87, Dr. Nanjappa Road,
Coimbatore - 641 018
Tel. : 0422-2305311 / 2302599 E-
mail : coimbatore@bchindia.com

Delhi 1
801, Akash Deep Building,
26A, Barakhamba Road,
New Delhi - 110 001
Tel. : 011-23313878 / 43518200
E-mail : delhi@bchindia.com

Delhi 2
710, Deepal Building, 92
Nehru Place, New Delhi - 110
019 Tel. : 011-45720334
E-mail : delhi2@bchindia.com

Dehradun
8, Co-operative Industrial
Estate, Patel Nagar, Dehradun-
248001 E-mail :
dehradun@bchindia.com

Faridabad
20/4, Mathura Road,
Faridabad - 121 006 (Haryana)
Tel. : 0129-4293009
E-mail : faridabad@bchindia.com

Hyderabad
1-8-303/48/13/102, Arya One,
2nd Floor, P. G. Road,
Secunderabad - 500 003
Tel. : 040-66206263/27890306
Fax : 040-66207273
E-mail : hyderabad@bchindia.com

Indore
330-331, Indraprastha Tower,
3rd Floor, 6, M.G. Road,
Indore - 452 001
Tel. : 0731-2510011 /
2510012 E-mail :
indore@bchindia.com

Jaipur
25, Hathroi, Gopalbari,
Jaipur - 302 001
Tel. : 0141-2363521
E-mail : jaipur@bchindia.com

Jamshedpur
A.J. Tower, 2B,
2nd Floor, R-Road, Bistupur,
Jamshedpur - 831 001
E-mail : jamshedpur@bchindia.com

Kolkata
16-A, T-16, 216,
Aacharya Jagadish Chandra Bose
Road, Kolkata - 700 017
Tel. : 033-22871728 / 46021884 E-
mail : kolkata@bchindia.com

Lucknow
Shop No. 3, First Floor,
Tower T-10, Millennium Place IBB - 2,
Sushant Golf City, Sultanpur Road,
Lucknow U.P. - 226030
Tel. : 0522-4025597/4025997
E-mail : lucknow@bchindia.com

Ludhiana
S.C.O.- 18, 2nd Floor,
Feroze Gandhi Market,
Ludhiana - 140 001
Tel. : 0161-5021807/5022808
E-mail : ludhiana@bchindia.com

Madurai
12, Parvathi Plaza-3rd Floor,
70 Feet Road, Ellis Nagar
Madurai-625016, Tamilnadu

Mumbai
A-151, Mittal Tower,
Nariman Point,
Mumbai - 400 021
Tel. : 022-22822947/22850162
Fax : 022-22822858
E-mail : mumbai@bchindia.com

Pune
8, Sarosh Bhavan,
16-B/1, Dr. Ambedkar Road,
Pune - 411 001
Tel. : 020-41210002
E-mail : pune@bchindia.com

Raipur
6th Floor, Office No. 607,
Babylon Capital, Near Oswal
Petrol Pump, VIP Chowk,
G.E. Road, Raipur - 492 006
Tel. : 0771-4045053
E-mail : raipur@bchindia.com

Vadodara
301, Third Floor, "Florence Classic",
10, Ashapuri Co-Op. Hsg. Soc. Ltd., Opp. VUDA
Housing, Near Cow Circle, Akota, Vadodara - 390 020
Tel. : 0265-2345068/2345069
Telefax : 0265-2345068,
E-mail : vadodara@bchindia.com

Other Branch Locations

Cochin : cochin@bchindia.com, **Guwahati :** guwahati@bchindia.com, **Vishakapatnam :** vizag@bchindia.com, **Surat :** surat@bchindia.com, **Trichy :** Trichy@bchindia.com

Resident Engineer Locations

Anantapur	Jodhpur	Madurai	Rajkot	Siliguri
Aurangaba	Jalandhar	Muzaffarnagar	Rajahmundry	Tirunelveli
d Bhopal	Kanpur	Nagpur	y Ranchi	Udaipur Vapi
Calicut	Katni	Nashik	Rourkela	Vijayawada
Gurgaon	Kharagpur	Nanded Patna	Rudrapur	Warangal
Hosapate	Kota	Puducherry	Salem Satna	Yamuna
Hubli	Kolhapur			Nagar

Since product improvement is a continuous process, the data furnished in this brochure may undergo revision without prior notice.