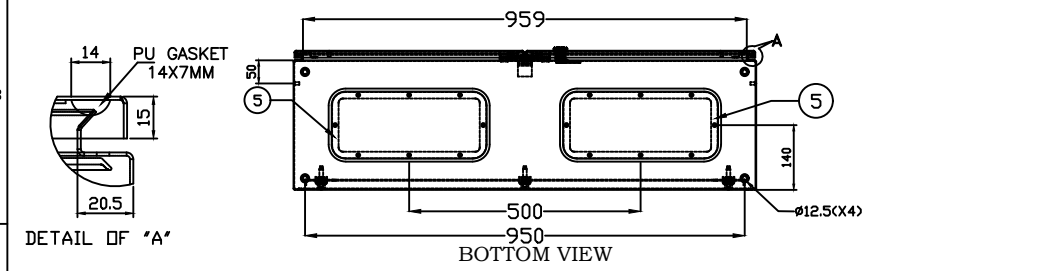
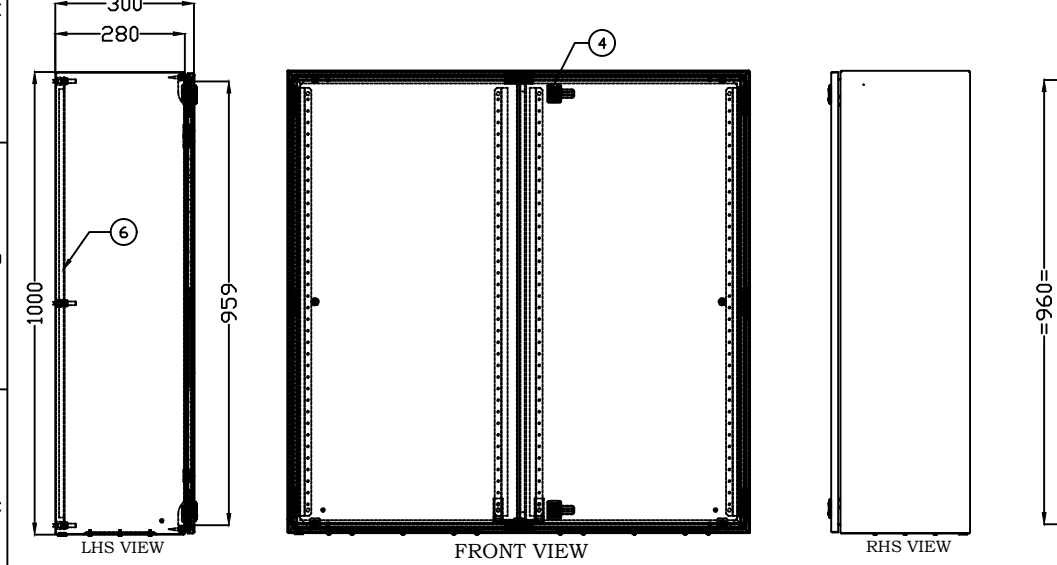
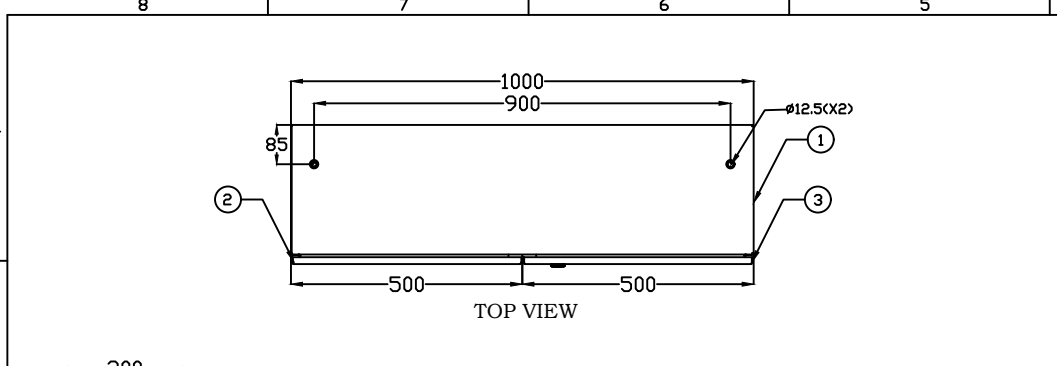


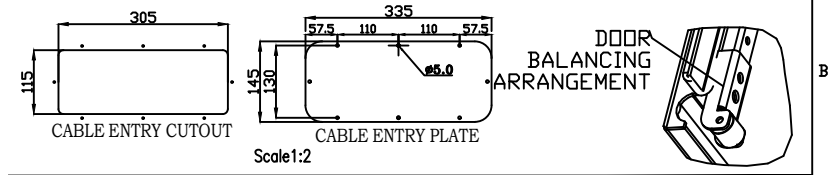
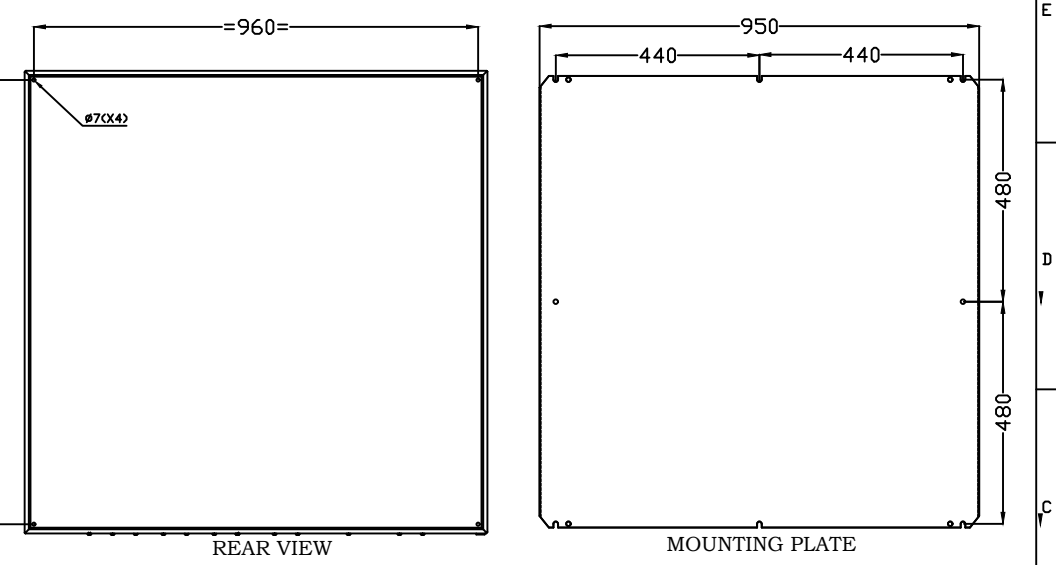
LENGTH or ϕ	0.5 Upto 3 ± 0.1	DV-3 6 ± 0.1	DV-6 30 ± 0.2	DV-30 120 ± 0.3	DV-100 400 ± 0.5	DV-200 1000 ± 0.8	DV-400 2000 ± 1.2	DV-1000 4000 ± 2.0	LENGTH IN MM UP TO SHORTER SIDE OF ANGLES
									10-50 $\pm 1^*$
									50-120 $\pm 1^*$
									120-400 $\pm 1^*$
									400-1000 $\pm 1^*$
									1000-4000 $\pm 1^*$

This drawing is the property of BCH ELECTRIC LIMITED and should not be copied in any form nor three dimensional articles be made without prior written permission from BCH ELECTRIC LTD



5					
4					
3					
2					
1					
Rev					

BILL OF MATERIAL				
S.NO.	DESCRIPTION	QTY.	MATERIAL	FINISH
1	ENCLOSURE BODY	01	CRCA 1.6MM	STR. RAL-7035
2	FRONT LHS DOOR	01	CRCA 2.0MM	STR. RAL-7035
3	FRONT RHS DOOR	01	CRCA 2.0MM	STR. RAL-7035
4	DIE CASTING LOCK	02	BCH STANDARD	BCH STANDARD
5	GLAND PLATE	02	CRCA 1.6MM	STR. RAL-7035
6	MOUNTING PLATE	01	GPSP 2.5MM	GPSP FINISH



 Third angle	Tolerances to ISO 2768-M Unless Otherwise Stated		Scale : NTS	All dimensions in MM DO NOT SCALE IF IN DOUBT ASK	
	Drawn	SANKRESH	25.06.25	DRG NO:	BIL-40400
Checked	GYAN	25.06.25	TITLE : IP-55 WALL MOUNTED BOX 1000W*1000H*300D MM		
Appr'd	ABHIJIT DEY	25.06.25			
BCH ELECTRIC LTD.			 Material : AS PER BOM		Sheet 1 of 1
20/4, MATHURA ROAD FARIDABAD-121006			Finish : AS PER BOM		A4

Note: Remove burrs and sharp edges

EES-D&D-01-0-1